

User manual
KS-7 Series



KS-731



KS-741



KS-737.2L



KS-737.2



KS-747.2



GENERAL WARNING

IMPORTANT

Do not attempt to use the scooter before a qualified person has explained to your satisfaction how to operate it without risk to yourself or others.



WARNING

- Do not operate this equipment without first reading and understanding this manual. If you are unable to understand the warnings, cautions and instructions, contact a dealer, healthcare professional or technical personnel if applicable before attempting to use this equipment--otherwise, injury or damage may result. Procedures other than those described in this manual must be performed by a qualified technician.

The information contained in this document is subject to change without notice.



WARNING

- As a manufacturer of powered scooters, KARMA endeavors to supply a wide variety of powered scooters to meet the many needs of the user. However, the responsibility of final selection of the type of powered scooter to be used by an individual rests solely with the user and his/her healthcare professional capable of making such a selection.

KARMA recommends that powered scooter users NOT be transported in vehicles of any kind while in a powered scooter. It is the position of Karma that users of powered scooters should be transferred into appropriate seating in vehicles for transportation and apply the restraints made available by the auto industry. Karma cannot and does not recommend any powered scooter transportation systems.

It is the responsibility of the Durable Medical Equipment (DME) Dealer, therapists and other healthcare professionals to determine if a seat positioning strap is required to ensure the safe operation of this equipment by the user. Serious injury can occur in the event of a fall from a powered scooter.

Operating Information

- Performance adjustments should ONLY be made by professionals of the healthcare field or persons fully conversant with this process and the driver's capabilities. Incorrect settings could cause injury to the driver or bystanders and damage to the powered scooter and surrounding property.
- To determine and establish your particular safety limits, practice bending, reaching, mounting and dismounting activities in several combinations in the presence of a qualified healthcare professional BEFORE attempting active use of the powered scooter.
- For individuals with balance problems, practice mounting and dismounting activities WITH AN ASSISTANT in the presence of a qualified healthcare professional. If so equipped, **DO NOT** operate the scooter without anti-tippers being installed. Anti-tippers **MUST BE** attached at all times.
- **DO NOT** attempt to reach objects if you have to move forward in the seat or pick them up from the floor by reaching down between your knees as this may cause loss of balance.
- **DO NOT** lean over the back of the chair to reach objects behind you as this may cause the powered scooter to tip over.
- **DO NOT** shift your weight or sitting position toward the direction you are reaching as the powered scooter may tip over.
- **DO NOT** use an escalator to move a powered scooter between floors. Serious bodily injury may occur.
- **DO NOT** operate in car lanes on roads, streets, highways, etc.
- **DO NOT** attempt to move up or down an incline with a water, ice or oil film.
- **DO NOT** attempt to ride over curbs or obstacles. Doing so may cause your powered scooter to turn over and cause bodily harm and/or damage to the powered scooter.
- **DO NOT** make sharp turns, in forward or reverse, at excessive speeds.
- **DO NOT** attempt to lift the powered scooter by its casings and seat.
- **DO NOT** attempt to lift the powered scooter by any detachable parts. Lifting by means of any detachable parts of a powered scooter may result in injury to the user or damage to the powered scooter. Please hold onto the frame when lifting your scooter.
- **DO NOT** operate the powered scooter until you have checked that the surroundings are clear and that the area is safe for travel.
- Please pay attention to the environment, and to keep away from the hazard of external flame. When the user is smoking, pay attention to safety and make sure to extinguish the fire when finished. Be alert to the environment when someone nearby is smoking or using a cigarette lighter, keep away from the hazard and use

fire-proof cloth.

- DO NOT use parts, accessories or adapters other than those authorized by Karma. Before attempting to sit in or exit the powered scooter, turn the power OFF. This will ensure that the powered scooter will not drive. Turn the power OFF while the scooter is not in use. Otherwise, injury and/or damage to the scooter and surrounding property may occur.
- DO NOT connect any medical device (i.e., a ventilator, life support machine, et cetera) to the battery. This could cause unexpected failure of the device and the powered scooter.
- KARMA specifically disclaims responsibility to all personal injury and property damage that may occur during use which does not comply with applicable federal, state and local laws and ordinances.
- DO NOT stand on the footplates of the powered scooter.
- DO NOT use the scooter when the back is folded. This alters the centre of gravity and may cause the scooter to tip backwards. The back should only be folded for storage or transport of the scooter.
- DO NOT hang anything on the backjoints that could cause the backrest to fold suddenly and may cause injury.
- DO NOT tow the scooter by other vehicles(cars, motorcycles or bicycles, etc.). Only use freewheel mode on flat surfaces since your electromagnetic brakes are not engaged in this mode, without these brakes it will roll down a hill causing injury or damage. Never drive under the influence of alcohol or medication.
- DO NOT sit in the powered scooter within a moving vehicle unless it has been affixed with the labels of hook mark. The labels of hook mark means that the powered scooter fulfils the performance requirements for a "Crash Test" of ISO 7176-19 and is suitable to use as a seat in vehicles that have been adapted for this purpose.



WARNING

- As of this date, the KS-7 Series can NOT be used as seats in any vehicles. That is, KARMA recommends that users are NOT transported in any vehicle while seated in the scooter. In the case of accident or a sudden stop, the user or passengers may be at risk of getting injury. The suggested solution is to transfer the user from the scooter into a vehicle seat and to securely stow the scooter in a separate compartment.

RAMPS

- DO NOT climb, go up or down ramps or traverse slopes greater than the max. safe slope angle for your model specified in Section 10.
- When negotiating ramps, if the joystick is released while moving forward, the powered scooter will roll backwards approximately one foot before the brake engages. If the joystick is released while in reverse, the powered scooter will roll backwards approximately two and a half feet before the brake engages.
- Be sure to drive at the slowest speed when driving on curved roads or making a turn; do not drive at full speed. Please drive at a slower speed so you have complete control of the scooter.
- DO NOT make a sharp turn when going down ramps, otherwise it will increase the risk of making the scooter turned over.

ELECTRICAL

- Check to ensure that all electrical connections are secure at all times.
- Grounding Instructions: DO NOT, under any circumstances, cut or remove the round grounding prong from any plug. Some devices are equipped with three-prong (grounding) plugs for protection against possible shock hazards. Where a two-prong wall receptacle is encountered, it is the personal responsibility and obligation of the customer to contact a qualified electrician and have the two-prong receptacle replaced with a properly grounded three-prong wall receptacle/outlet in accordance with the National Electrical Code and local laws.
- Do not use an extension cord when charging your batteries. A risk of fire and /or electric shock could be encountered.

BATTERIES

- The warranty and performance specifications contained in this manual are based on the use of deep cycle sealed lead acid batteries.
- KARMA strongly recommends their use as the power source for this unit. (Refer to Section 6)
- Carefully read the battery and charger information prior to installing, servicing or operating your scooter.

RAIN TEST

- KARMA has tested its powered scooter in accordance with ISO-7176 Part 9 Rain Test. This test provides the end user or his/her attendant sufficient time to remove his/her powered scooter from a rainstorm and retain operation.
- DO NOT leave your powered scooter in a rain storm of any kind.

- DO NOT use your powered scooter in a shower or leave it in a damp bathroom while taking a shower.
- DO NOT leave your powered scooter in a damp area for any length of time. Direct exposure to rain or dampness could cause the powered scooter to malfunction electrically and mechanically and may cause the powered scooter to prematurely rust.

WEIGHT LIMITATION

- The maximum weight that can be carried, including any items carried on the scooter, is stated beside " Max. User Weight " in Section 10. SPECIFICATIONS



(Figure 1)

STAIRWAYS

- DO NOT attempt to move an occupied powered scooter between floors using a stairway. (See Figure 1)
- Use an elevator to move an occupied powered scooter between floors. If moving a powered scooter between floors by means of a stairway, the occupant MUST be removed and transported independently of the powered scooter. Extreme caution is advised when it is necessary to move an UNOCCUPIED powered scooter up or down stairs.
- Karma recommends disassembling the scooter and transporting the components independently up or down stairs. Make sure to use ONLY secure, non-detachable parts on each component for hand-hold supports.
- DO NOT attempt to lift a powered scooter by any removable (detachable) parts. Lifting by means of removable (detachable) parts may result in injury to the user or assistants or damage to the scooter.

ESCALATORS

- DO NOT use an escalator to move a powered scooter between floors. Serious bodily injury and damage to the scooter may occur.

YOU AND YOUR KARMA SERVICE PROVIDER

- No tools are required for assembly. Your scooter should be assembled by your authorized Karma dealer. Your authorized Karma dealer is also your service provider. Unauthorized repairs, upgrades and add-ons will void your warranty.
- Anything scooter related that requires tools should be done by your authorized Karma service provider. Your Karma service provider has the necessary service manual for your scooter.

- If you have any defective parts or lose any parts, please contact your dealer for repair and/or replacement. Please only use parts authorized by Karma. Use of parts that are not authorized by Karma will void your warranty.
- Part numbers are listed on our bill of materials (explosion drawings), which we give to our authorized dealers and service providers. Customers should order parts through their dealer as well as all repairs and scheduled maintenance.
- Customers should go to their dealership for all service needs to guarantee their warranty is not void. Always go to an authorized service provider. Unauthorized repairs will void your warranty. Procedures other than those described in this manual must be performed by a qualified technician. They also have the service manual with a complete list of maintenance required to keep your Karma scooter in top performance.
- Check the warranty section of this manual to find out what Karma guarantees and the maintenance service and parts that are not covered by the warranty.
- Karma does not have an official list of service providers at this time. Please contact your dealer for service. If you cannot contact your dealer, please contact another authorized Karma dealer for service. If all else fails, contact Karma directly via our website or give us a call and we can refer you to your new service provider.

CLASSIFICATION & INTENDED USE

- Karma's KS-731, KS-741, KS-737.2L, KS-737.2, and KS-747.2 are classified as a Class B mobility product for indoor and outdoor use. This scooter is suitable for one single user up to 135 kg in weight (160 kg for KS-737.2L). It also has an extremely durable aluminum alloy frame with tough accessory and does not suffer in dramatic extremes of temperature (neither user nor attendant need touch metal parts in normal use).
- Check with your local government as to legislation pertaining to mobility vehicles to assure your legal requirements to drive on public roads have been met, i.e. a pelvic belt, lighting, registration or licensing.

CE MARKING

- This powered scooter complies with the requirements of the Medical Devices Regulation (EU) 2017/745.



CAUTION

- Before purchasing and using Karma scooters, please consult qualified professionals so as to ensure that you choose suitable products and use them correctly as well. For safety reasons, if there is any risk due to the user's movement in the scooter or other environmental factors that might cause the scooter to tip or the person on the scooter to fall off, Karma recommends that you install anti-tippers, pelvic belt, or other additional safety accessories.
- When using the scooter, ALWAYS follow the Highway Code or your local traffic regulations when outdoors and the guidelines written in this manual.
- DO NOT drive at full speed and make a sharp turn when going down ramps, otherwise it will increase the risk of making the scooter turned over.

DECLARATION OF CONFORMITY



Document No.: DOC-KS-7-01

EU Declaration of Conformity

We, with the information specified in the below,

Our information as the manufacturer:

Manufacturer's Name: KARMA MEDICAL PRODUCTS CO., LTD

Manufacturer's Address: NO. 2363, Sec. 2, University Rd., Min-Hsiung Shiang, Chia-Yi County, 62144, Taiwan

SRN (Single Registration Number): TW-MF-000013206

Our authorized representative:

Name: KARMA MOBILITY, S.L.

SRN (Single Registration Number): ES-AR-000004852

Address: C/ PERIODISTA FRANCISCO CARANTOÑA
DUBERT, 23 Bajo
33209 GIJÓN – ASTURIAS, SPAIN

Contact Person: Raquel Yuste

Contact Information: (+34) 984 390 907

in accordance with

Regulation (EU) 2017/745 of the European Parliament and of the council Annex I, II, III, IV and IX

hereby declare that the medical device specified below:

Basic UDI-DI of Annex VI:	471987385KS-7M3
Device:	Electrically powered scooter
Trade Name or Mark:	KS-7 series
Model Number:	KS-731, KS-737.2, KS-737.2L, KS-741, KS-747.2
Product Code according to EMDN:	Y122124
Product Code according to GMDN:	45684
Classification:	Rule 1 of Class I
UDI-DI:	04719873857623, 04719873857630, 04719873857647, 04719873857654, 04719873857661

DECLARATION OF CONFORMITY



Document No.: DOC-KS-7-01

is in conformity with the applicable requirements of the following documents:

Ref. No.	Title	Edition date
ISO 13485	Medical devices - Quality management systems - Requirements for regulatory purposes	2016
ISO 14971	Medical devices - Application of risk management to medical devices	2019
EN 12182	Assistive products for persons with disability - General requirements and test methods	2012
EN 12184	Electrically powered wheelchairs, scooters and their chargers - Requirements and test methods	2014
EN 62366	Medical devices - Application of usability engineering to medical devices	2015
EN 60601-1	Medical electrical equipment - Part 1: General requirements for basic safety and essential performance	2006
EN ISO 10993-1	Biological evaluation of medical devices - Part 1: Evaluation and testing within a risk management process	2009
EN ISO 10993-5	Biological evaluation of medical devices — Part 5: Tests for in vitro cytotoxicity	2009
EN ISO 15223-1	Medical devices - Symbols to be used with medical device labels, labelling and information to be supplied - Part 1: General requirements	2016
MEDDEV. 2.7/1 Rev. 4	CLINICAL EVALUATION: A GUIDE FOR MANUFACTURERS	2016
MEDDEV 2.12/1 Rev. 8	GUIDELINES ON A MEDICAL DEVICES VIGILANCE SYSTEM	2013

The information on this declaration has been stated on the sole responsibility of KARMA MEDICAL PRODUCTS CO., LTD.

We hereby declare that the device named above has been designed to comply with the relevant sections of the above referenced specifications. The device complies with all General Safety and Performance Requirements.

Date of issue: 4th October 2021

Place of issue: NO. 2363, Sec. 2, University Rd., Min-Hsiung Shiang, Chia-Yi County, 62144,
Taiwan

Richard Chang, CEO

TABLE OF CONTENTS

1. PREFACE.....	1
2. SAFETY	2
2.1 BEFORE DRIVING.....	2
2.2 TRAFFIC RULES	2
2.3 PRACTICE DRIVING.....	2
2.4 NO PASSENGERS.....	2
2.5 NO HAULING HEAVY GOODS	2
2.6 RAIN.....	3
2.7 WHILE DRIVING	3
2.8 GENERAL WARNING.....	3
2.9 RAILROAD CROSSING.....	3
2.10 CIRCUMSTANCES TO AVOID.....	3
2.11 MOBILE PHONES AND OTHER ELECTRIC EQUIPMENT	4
2.12 RAMPS, INCLINES AND DROPS.....	4
2.13 MAXIMUM USER WEIGHT LIMIT	5
2.14 SERVICE LIFE	5
2.15 KS-7 SERIES LABELING.....	6
3. EMI/RFI	7
3.1 ELECTROMAGNETIC INTERFERENCE FROM RADIO WAVE SOURCES.....	7
3.2 THE SOURCES OF RADIATED EMI.....	8
3.3 POWERED VEHICLE ELECTROMAGNETIC INTERFERENCE (EMI).....	8
3.4 WARNINGS	9
3.5 IMPORTANT INFORMATION	9
4. PARTS.....	10
5. OPERATION	14
5.1 CONTROL PANEL.....	14
5.2 HOW TO OPERATE YOUR SCOOTER.....	14
5.3 SPEED DIAL.....	14
5.4 FORWARD, REVERSE AND BRAKING.....	15
5.5 TURN SIGNAL BUTTONS.....	15
5.6 HORN BUTTON.....	15
5.7 HEADLIGHT/TAILLIGHT BUTTON.....	15
5.8 ELECTROMAGNETIC BRAKE.....	15
5.9 DRIVER'S SEAT.....	16
5.10 HEADREST ADJUSTMENT.....	16

5.11 BATTERY INDICATOR.....	17
5.12 HOW TO SET THE FREEWHEEL MODE.....	18
5.13 STEERING COLUMN(TILLER) ADJUSTMENT.....	18
5.14 STARTING AND DRIVING.....	20
5.15 DRIVING SPEED.....	21
5.16 TO STOP.....	22
6. BATTERIES AND CHARGER.....	23
6.1 CHARGING THE BATTERIES.....	23
6.2 CHARGE YOUR BATTERIES IF ANY OF THE FOLLOWING CONDITIONS OCCUR.....	23
6.3 BE SURE TO PRECISELY FOLLOW THE PROCEDURES LISTED BELOW.....	23
6.4 CHARGER.....	25
6.5 BATTERIES.....	26
6.6 REMOVING/INSTALLING THE BATTERIES.....	26
6.7 CLEANING THE BATTERIES.....	28
7. INSPECTION AND MAINTENANCE.....	31
7.1 DAILY CHECK.....	31
7.2 REGULAR MAINTENANCE RECORD.....	32
7.3 BATTERIES, FUSES AND TIRES.....	33
7.4 GENERAL MAINTENANCE.....	34
7.5 SUGGESTED MAINTENANCE PROCEDURES.....	35
7.6 TRANSPORTING AND STORING.....	35
7.7 DISASSEMBLING THE SCOOTER.....	36
7.8 REMOVING/INSTALLING THE SEAT.....	37
7.9 REMOVING THE SEAT.....	37
7.10 INSTALLING THE SEAT (KS-737.2/ KS-747.2/ KS-731/ KS-741).....	38
7.11 REMOVING THE SEAT (KS-737.2L).....	38
7.12 INSTALLING A PELVIC BELT.....	38
7.13 REMOVING/INSTALLING THE REAR CASING.....	39
7.14 ADJUSTING THE SEAT HEIGHT (KS-737.2/ KS-747.2).....	40
7.15 ADJUSTING THE SEAT HEIGHT (KS-731/ KS-741/ KS-737.2L).....	41
8. OPTIONAL ACCESSORIES.....	42
9. TROUBLE SHOOTING.....	43
9.1 STATUS INDICATOR (LED) AND BATTERY & DIAGNOSTICS INDICATOR.....	43
10. SPECIFICATIONS.....	46
11. CLEANING & RECYCLING.....	51
11.1 CLEANING.....	51
11.2 POST-CONSUMER RECYCLING.....	51

12. WARRANTY	53
12.1 SERIAL NUMBER.....	53
12.2 CONTENTS OF WARRANTY.....	53
12.3 WARRANTY DURATION AND PARTS COVERED BY THE WARRANTY	53
12.4 ITEMS NOT COVERED.....	53
12.5 PROBLEMS NOT COVERED.....	54
12.6 THE RESPONSIBILITIES OF THE USER.....	55
12.7 WARRANTY EFFECTIVENESS	55
12.8 TRANSFER OF WARRANTY RIGHTS.....	55




1. PREFACE

Please carefully read this owner's manual before using the scooter. Improper use of the scooter could result in harm, injury or traffic accidents. Therefore, for safe and enjoyable use of the scooter, please read this owner's manual.

1.1 This owner's manual includes operation instructions for the aspects of the scooter, assembly instructions, and instructions on how to deal with possible accidents.

This owner's manual is written for Karma powered scooter.

1.2 The symbols used in this manual are explained below. Pay special attention to the parts marked with these symbols.

 WARNING	Improper use could lead the user to severe injury or death.
 CAUTION	Improper use could lead the user to severe injury and/or damage to your scooter.
 SUGGESTION	Follow these instructions to keep the scooter in good condition.

1.3 This manual includes the repair and maintenance chart as well as the Warranty. Please keep it in a safe place or with the scooter.

1.4 If someone else uses the scooter, make sure that you give him or her this owner's manual for his or her reference.

1.5 As designs change, some illustrations and pictures in this manual may not correspond to the vehicle that you purchased. We reserve the right to make design modifications without further notice.

2. SAFETY

2.1 Before Driving

2.1.1 The user must be familiar with the use and operation of this scooter before driving.

2.1.2 Therefore, please always keep these safety guidelines in mind.

2.2 Traffic Rules

2.2.1 Pedestrian traffic rules apply to this scooter. Please be safe.

2.2.2 Drive only on pedestrian areas such as the sidewalk. Never drive the scooter on the highway. **(See Figure 2.1)**

2.2.3 Be aware of other vehicles when crossing all roads.

2.2.4 Be extremely cautious when driving your scooter in heavy traffic or the shopping mall.

2.2.5 DO NOT drive your scooter when you feel tired or consume alcohol.

2.2.6 Please do not drive your scooter at night.

2.2.7 Please follow pedestrian traffic lights.

2.3 Practice Driving

2.3.1 Before you are familiar with the operation of your scooter please practice in a wide and open area, like a park.

2.3.2 To avoid falling off your scooter please practice all kinds of driving motions, such as accelerating, stopping, turning, reversing and going up and down ramps.

2.3.3 Please set the speed to medium when you first start practicing.

2.3.4 Be safe. Make sure someone accompanies you in case you need assistance.

2.3.5 Be sure you are able to control and operate your scooter easily and confidently before you move the speed higher.

2.4 No Passengers

KARMA scooter is limited to one driver. Do not carry passengers (including children) on your scooter.

2.5 No Hauling Heavy Goods

Do not use this scooter to carry or haul heavy goods. The maximum weight that can be carried, including any items carried on the scooter, is specified beside "Max. User

Weight" in Section 10. SPECIFICATIONS.

2.6 Rain

This product is not guaranteed to be water resistant. Please do not drive in the rain, through puddles or spray water to clean this product. (See Figure 2.2)

2.7 While Driving

Please carry out daily inspections. Refer to Section 7.1 DAILY CHECK

2.8 General Warning

Do not lean over the side of the scooter as such an action may cause you to lose balance and fall.

Use caution to assure your clothing doesn't get tangled with the wheels.

2.9 Railroad Crossing (See Figure 2.3)

Before crossing the tracks, please stop completely and look both ways.

Cross the tracks perpendicular to avoid your wheels getting stuck.

Do not drive at full speed over railroad tracks.



Figure 2.1



Figure 2.2

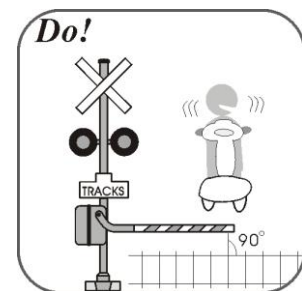


Figure 2.3

2.10 Circumstances to Avoid

2.10.1 Avoid roads with heavy traffic, mud, excessive gravel or bumps, snow and ice. These conditions may damage your scooter.

2.10.2 Avoid roads that are too narrow or by a canal/waterway without any fence/hedge.

2.10.3 Also avoid places where your wheels might get stuck, slip or not have traction.

2.10.4 Do not drive in a gale, at night or in rainy/snowy/foggy/misty weather. These conditions may cause your scooter to rust. (See Figure 2.4)

2.10.5 Do not drive in a S curve, do doughnuts or make sudden turns.

2.10.6 Do not take an escalator.

2.11 Mobile Phones and Other Electric Equipment

- 2.11.1 Do not use a mobile phone or other wireless communication devices while driving. (See Section 3. EMI/RFI)
- 2.11.2 Do not charge the mobile phone or other electric devices from your scooter's batteries.

2.12 Ramps, Inclines and Drops

- 2.12.1 Do not drive onto a steep ramp. Refer to " Safe Slope Angle " in Section 10. SPECIFICATIONS for your scooter's maximum climbing angle.
- 2.12.2 When climbing up to an inclined road, please set the speed dial higher than "5" and drive carefully. **(See Figure 2.5)**
- 2.12.3 When going down an inclined road, set the speed dial to "1" and never use reverse.
- 2.12.4 Do not drive on a road with many bumps and holes close to each other, such as potholes or washboard roads. **(See Figure 2.6)** Refer to "Ground Clearance" in Section 10. SPECIFICATIONS.
- 2.12.5 Do not cross a ditch wider than 5 inches as the wheels might get stuck. **(See Figure 2.7).**
- 2.12.6 Please lower your speed when driving down a hill
- 2.12.7 Do not make sudden turns when driving on gravel roads or ramps.
- 2.12.8 Please refer to " Maximum Obstacle Climbing Ability " in Section 10. SPECIFICATIONS for your scooter's maximum obstacle/curb climbing height. Exceeding this obstacle height will damage your scooter and void your warranty. **(See Figure 2.8)**
- 2.12.9 When negotiating an obstacle slow down, put your seat into the full upright position and approach it head on (perpendicular).
- 2.12.10 Just before the obstacle, speed up until the entire scooter has conquered the obstacle. Negotiating an obstacle at an angle may cause your scooter to tip over. Don't do it! **(See Figure 2.8)**
- 2.12.11 When driving down a curb, slow down just before you get to it and only speed up after the entire scooter has lowered to the road.
- 2.12.12 Again, descending obstacles should be done perpendicularly. **(See Figure 2.9)**
- 2.12.13 Karma does not design scooters to take jumps over or off obstacles. Doing so will void your warranty.

2.12.14 When turning on slopes/ramps or turning 90 degrees on flat ground, please set the speed dial to "3" and drive carefully.

WARNING

- Do not set the scooter in freewheel mode when on an incline or decline.
- If you breakdown on railroad tracks, first, check for an oncoming train. If a train is coming, get out of its way immediately! If no train is coming, set the scooter in freewheel mode and push the scooter off the tracks.

2.13 Maximum User Weight Limit

2.13.1 Refer to " Max. User Weight " in Section 10. SPECIFICATIONS.

2.13.2 Loading exceeding max. user weight can damage your scooter and cause malfunctions yielding a safety hazard. The warranty does not cover damage caused by improper operation of the scooter.



Figure 2.4



Figure 2.5



Figure 2.6



Figure 2.7



Figure 2.8



Figure 2.9

2.14 Service Life

The expected service life of the product is **five years**, presuming that the product is used daily in accordance with the safety operation instructions, inspection and maintenance instructions, and intended use, which described in this manual.

2.15 KS-7 Series Labeling

Please carefully read all the labeling on the scooter before driving it. Do not remove them. Protect them for future reference.

Please refer to Section 4. Parts for the name and the position of each parts. (ex. circuit breaker) And you can find the below labels at the position specified.



①

[CE/ Maximum User Weight / Serial Number]

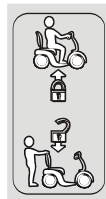
1. Please refer to Section 10. Specification of the exact Maximum User Weight applicable for each model in KS-7 series scooters.
2. Label position: below the Model No. label of the scooter.



[Circuit Breaker]

②

1. In the cases when the circuit breaker has tripped, please press it to reset.
2. Label position: next to the circuit breaker.



[Freewheel Lever]

③

1. Follow the instruction to engage or release the freewheel lever.
2. Label position: next to the freewheel lever.



④

[Angle Adjustment Tiller Label]

1. It is only affixed to KS- 731 and KS- 741.
2. Label position: below the angle adjustable tiller lever.

3. EMI/RFI

This section provides the user with basic information about the problems with EMI, known sources of EMI and protective measures either to reduce the possibility of exposure or to minimize the degree of exposure. This section also shows some conditions in which unexpected or erratic scooter movements may occur.



CAUTION

- It is very important that you read this information regarding the possible effects of electromagnetic interference on your electric KARMA Scooter

3.1 Electromagnetic Interference From Radio Wave Sources

3.1.1 Powered vehicles may be susceptible to electromagnetic interference (EMI), which is interfering electromagnetic energy (EM) emitted from sources such as radio stations, TV stations, amateur radio (HAM) transmitters, two-way radios, and cellular phones. The interference (from radio wave sources) can cause the powered vehicle to release its brakes, move by itself, or move in unintended directions. It can also permanently damage the powered vehicle's control system. The intensity of the interfering EM energy can be measured in volts per meter (V/m). Each powered vehicle can resist EMI up to certain intensity. This amount of resistance is called its immunity level. The higher the immunity level, the greater the protection. At this time, current technology is capable of achieving at least a 20 V/m immunity level, which would provide useful protection from the more common sources of radiated EMI. This powered vehicle model, with no further modification, has an immunity level of 20 V/m without any accessories.

3.1.2 There are a number of sources of relatively intense electromagnetic fields in our everyday environment. Some of these sources are obvious and easy to avoid. Others are not apparent and exposure could be unavoidable. However, we believe that by following the warnings listed below, your risk to EMI can be greatly minimized.

3.2 The sources of radiated EMI

3.2.1 Hand-held portable transceivers (transmitter-receivers) with the antenna mounted directly on the transmitting unit, such as citizens band (CB) radios, walkie-talkies, security and fire or police transceivers, cellular telephones and other personal communication devices;

NOTE:

Some cellular telephones or similar devices transmit signals while they are ON, even though they are not in use.

3.2.2 Medium-range mobile transceivers used in police cars, fire trucks, ambulances and taxis usually having the antenna mounted on the outside of the vehicle; and

3.2.3 Long-range transmitters and transceivers, such as commercial broadcast transmitters (radio and TV broadcast antenna towers) and amateur (HAM) radios.

NOTE:

Other types of hand-held devices (cordless phones, laptop computers, AM/FM radios, TV sets, CD players, cassette players, and small appliances such as electric shavers and hair dryers, et cetera) so far as we know, are not likely to cause EMI problems.

3.3 Powered Vehicle Electromagnetic Interference (EMI)

Because EM energy rapidly becomes more intense as one moves closer to the transmitting antenna (source), the EM fields from hand-held radio wave sources (transceivers) are of special concern. It is possible to unintentionally bring high levels of EM energy too close to the powered vehicle's control system while using these devices. This can affect your powered vehicle's movement and braking. Therefore, the warnings listed below are recommended to prevent possible interference with the control system of the powered vehicle.

3.4 Warnings

Electromagnetic interference (EMI) from sources such as radio and TV stations, amateur radio (HAM) transmitters, two-way radios and cellular phones can affect powered vehicles and motorized scooters.

Following the warnings listed below should reduce the chance of unintended brake release or powered vehicle movement which could result in serious injury.

3.4.1 Do not operate hand-held transceivers-receivers such as citizens band (CB) radios or turn ON personal communication devices such as cellular phones, while the powered vehicle is turned ON.

3.4.2 Be aware of nearby transmitters, such as radio or TV stations, and try to stay away from them.

3.4.3 If unintended movement or brake release occurs, turn the powered vehicle OFF as soon as it is safe.



CAUTION

- **Some stores may have automatic (sensor) doors and alarm systems set at certain frequencies that might affect your powered scooter**

3.4.4 Be aware that adding accessories/components or modifying the powered vehicle may make it more susceptible to EMI. There is no easy way to evaluate their effect on the overall immunity of the powered vehicle.

3.4.5 Report all incidents of unintended movement or brake release to your powered vehicle dealer or KARMA, and note whether there was a source of EMI nearby.

3.5 Important Information

20 volts per meter (V/m) is a generally achievable and useful immunity level against EMI (the higher the level, the greater the protection).

Karma KS-7 series scooters have an immunity level of 20 V/m without any accessories connected to it.

4. PARTS

Parts Description KS-747.2



1. Headrest	9. Floorboard	16. Basket
2. Backrest	10. Swivel Lever	17. Headlight
3. Armrests	11. Slide Lever	18. Front Casing
4. Recline Lever	12. Rear View Mirrors	19. Front Bumper
5. Driver's Seat	13. Nameplate Casing	20. Front Caster(s)
6. Knob Bolt	14. Turn Signals	
7. Rear Casing	15. Steering Column	
8. Drive Wheel(s)	Adjustment Lever	



- 21. Ignition Socket
- 22. Circuit Breaker
- 23. Charging Socket

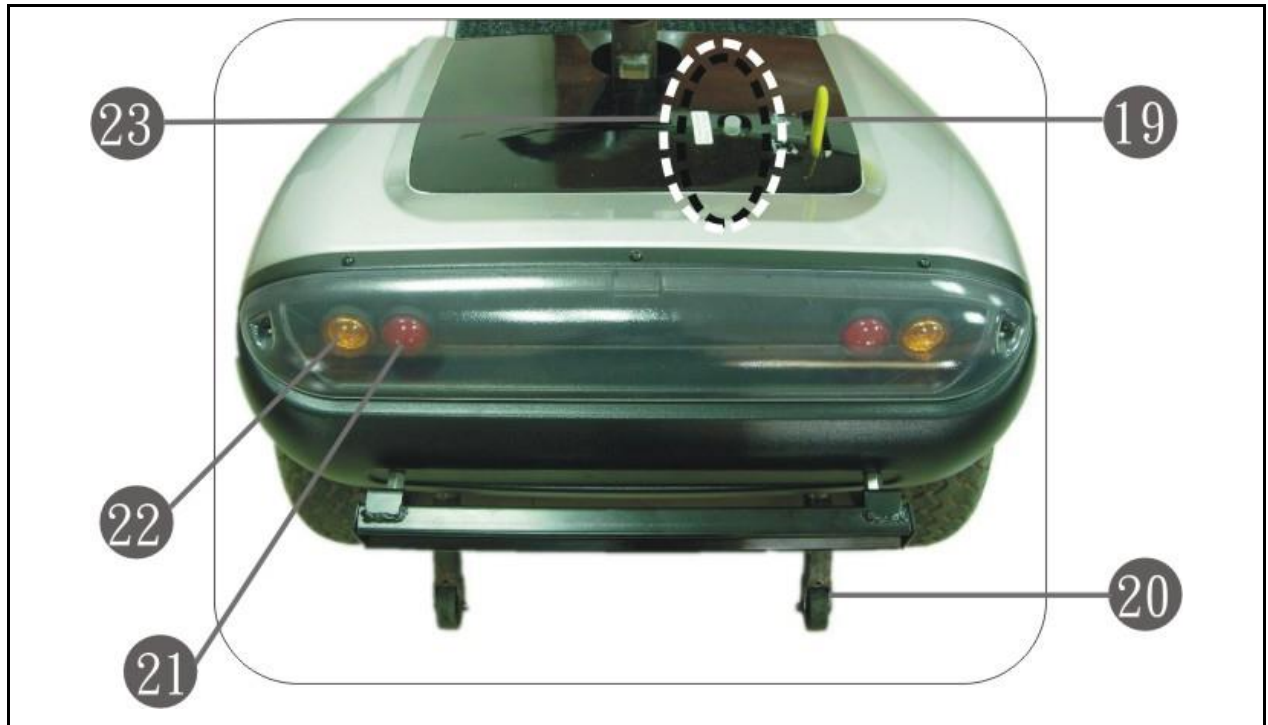
- 24. Turn Signals
- 25. Freewheel Lever
- 26. Anti-tippers

Parts Description KS-741



KS-741

- | | | |
|-------------------|-----------------------|---------------------|
| 1. Headrest | 8 Floorboard | 15. Headlight |
| 2. Backrest | 9. Swivel Lever | 16. Front Casing |
| 3. Armrests | 10. Rear View Mirrors | 17. Front Caster(s) |
| 4. Recline Lever | 11. Nameplate Casing | 18. Front Bumper |
| 5. Driver's Seat | 12. Handle Bar | |
| 6. Rear Casing | 13. Turn Signals | |
| 7. Drive Wheel(s) | 14. Basket | |



19. Freewheel Lever

22. Turn Signals

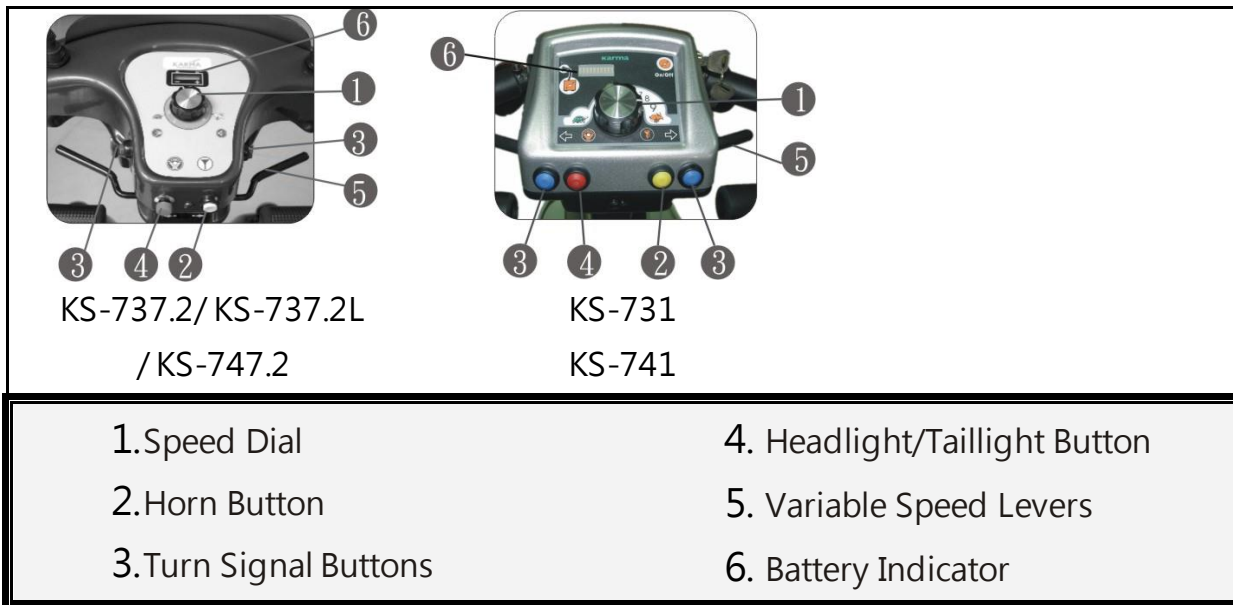
20. Anti-tippers

23. Circuit Breaker

21. Taillight

5. OPERATION

5.1 Control Panel



5.2 How to Operate Your Scooter

5.1.1 Ignition

Turn the key forward (clockwise) to turn your scooter ON

Turn the key toward yourself (counter-clockwise) to turn the scooter OFF. Make sure you come to a complete stop before you turn the scooter OFF. (See Figures 5.1 and 5.2)



Figure 5.1

KS-737.2/ KS-737.2L/ KS-747.2



Figure 5.2

KS-731 & KS-741

5.3 Speed Dial

5.3.1 Allow you to set various forward and reverse speeds. (See Figures 5.3 and 5.4)

5.3.2 The settings are not traditional gears, but are a percentage of maximum power.

5.3.3 This is gross power, while the variable speed levers help you to fine tune your speed and act similarly like an accelerator.

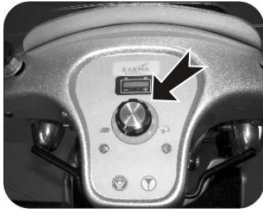


Figure 5.3

KS-737.2/KS-737.2L
/KS-747.2



Figure 5.4

KS-731 & KS-741

5.4 Forward, Reverse and Braking

5.4.1 Pull the right variable speed lever backward with your right hand to make the scooter move forward.

5.4.2. Pull the left variable speed lever backward with your left hand for the scooter to move backward.

5.4.3. A small speaker will "beep" when the vehicle is in reverse.

5.4.4. If you release the variable speed lever while in forward or reverse, the electromagnetic brake will be activated to stop the vehicle.

5.5 Turn Signal Buttons

5.5.1 The signal light will flash and a small speaker will make a "beep-beep" sound if you press either the right or left button.

5.5.2. Press the button again to turn off the turn signal.

5.6 Horn Button

5.6.1 The horn will sound for the duration of time the button is pressed.

5.7 Headlight/Taillight Button

5.7.1 The headlight and taillight will be turned on when this button is pressed. Push the button again and the lights will turn off.

5.8 Electromagnetic Brake

5.8.1 Release the variable speed lever completely and the electromagnetic brake will automatically activate.



WARNING

- NEVER use the freewheel mode when going down an incline.
- The electromagnetic brake won't function in freewheel mode.

5.9 Driver's Seat (See Figure 5.5)

- 5.9.1 Lift up the swivel lever completely to rotate the seat up to 90 degrees to either side.
- 5.9.2. Lift up the slide lever completely to move the seat forward or backward.
- 5.9.3. Lift up the recline lever completely to recline or raise the seat to the full upright position. The recline lever also allows you to fold the seat down.



Figure 5.5

See Section 7.14 and 7.15 for the instructions on how to adjust the seat height.



WARNING

- While driving, the recline angle could not exceed 105 degrees.



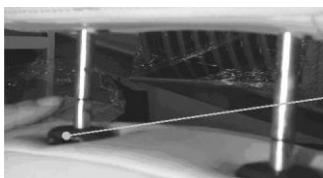
CAUTION

- Be sure to rotate the seat to the forward position and the seat locks into place before driving.

5.10 Headrest Adjustment

- 5.10.1 To raise the headrest, lift the headrest up to the desired position.
- 5.10.2. To lower the headrest, push the release button and lower the headrest to the desired position. (See Figure 5.6)

The headrest is locked in position when an audible "click" is heard. If the "click" cannot be heard, consult an authorized technician for the user's safety.



Headrest Lock
Release Button

Figure 5.6



WARNING

- When raising the headrest, never exceed the marked line to ensure safety.

5.11 Battery Indicator

5.11.1 When the ignition is turned on, the battery indicator will light up with a possible total of three red, four orange and three green lines indicating the remaining power of the batteries. The positive/plus sign under the green lines indicates that the batteries are fully charged. The negative/minus sign under the red lines indicates that the batteries are (nearly out of or) out of power. (See Figure 5.7 and 5.8)

5.11.2 The remaining power shown by the battery indicator will vary according to the actual driving time and how you drive. Repeated starting, stopping and climbing will consume more power and drain your batteries faster than steady, conservative driving.

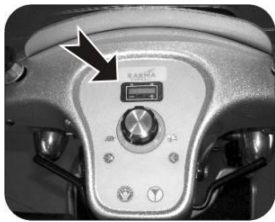


Figure 5.7

KS-737.2/ KS-737.2L
/KS-747.2

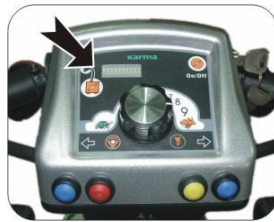


Figure 5.8

KS-731 and KS-741



SUGGESTION

- It is recommended that you charge the batteries immediately when the battery indicator shows only three or less red lines. After charging or replacing new batteries, drive the vehicle for 2-3 minutes to make sure the batteries are fully charged.
- In wintertime, the batteries may respond slowly and the drive range (maximum distance traveled per full charge) may also be reduced. You must store your scooter indoors above freezing temperatures.
- When driving on an incline, the battery indicator light might move up and down. This is normal.
- Even if the batteries are used properly their capacity will decay over time, thereby reducing the drive range. Thus, when the drive range reduces to about 50% of what brand new batteries would offer, it's time to replace them with new batteries. Otherwise, the batteries may die unexpectedly leaving you in a possibly precarious situation.
- The drive range will be shortened when driving frequently on slopes or uneven ground, as this consumes more battery power.

- Please take the operating situations and environment into consideration. For your safety, do follow the instructions.

5.12 How to Set the Freewheel Mode

5.12.1 Drive Mode: pull the lever completely up then the scooter can be driven by motor power. (See Figure 5.9 and Figure 5.11).

5.12.2 Freewheel Mode: pull the lever completely down then the scooter can be pushed manually. Again, the electromagnetic brake does not work in freewheel mode. (See Figure 5.10 and Figure 5.12)



Figure 5.9 Drive Mode

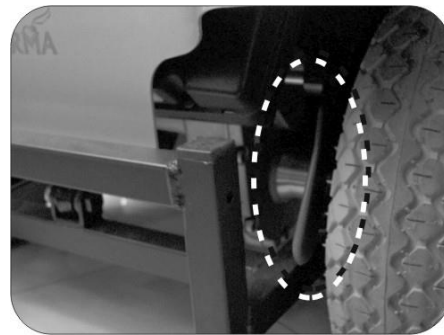


Figure 5.10 Freewheel Mode



Figure 5.11 Drive Mode
for KS-731 and KS-741



Figure 5.12 Freewheel Mode
for KS-731 and KS-741

5.13 Steering Column(Tiller) Adjustment

5.13.1 Type 1: Pin Steering Column Adjustment.

The steering column can be adjusted to four positions

5.13.1.1 Pull and hold the adjustment ring away from the adjustment plate. (See Figure 5.13)

5.13.1.2 While holding the adjustment ring, adjust the steering column angle to the desired position.

5.13.1.3 Let go of the ring when the steering column angle matches one of the

four designed positions in the adjustment plate.

5.13.1.4 Gently push/pull against the steering column to ensure that the steering column is securely engaged into the locking mechanism. The adjustment pin will automatically slide into the hole and make a "click" sound. (See **Figure 5.14**)

5.13.1.5 Be sure the steering column is securely locked into position; otherwise you may fall from the scooter and get injured.

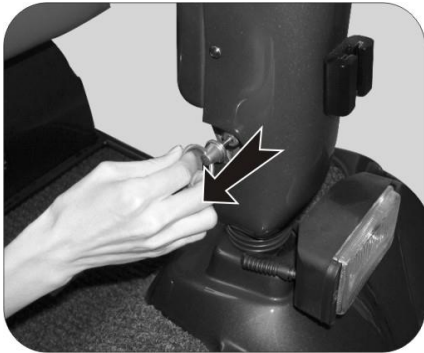


FIGURE 5.13

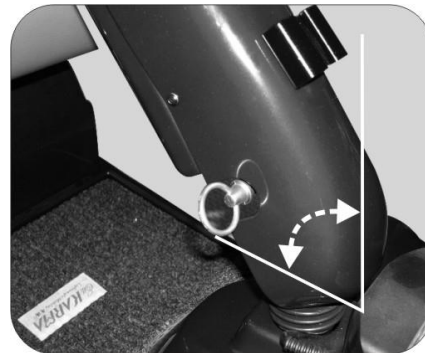


FIGURE 5.14

5.13.2 Type 2: Rotating Steering Column Adjustment.

5.13.2.1 Pull the steering column adjustment lever until its locking mechanism releases. (See **Figure 5.15**)

5.13.2.2 While holding the adjustment lever in and holding on to the handlebars with both hands; raise or lower the steering column to the desired position. There are approximately five positions to choose from.

5.13.2.3 When you release the adjustment lever; the steering column will lock in place. You may have to move the steering column slightly up or down to hear it "click" into the locked position. (See **Figure 5.16**)



FIGURE 5.15

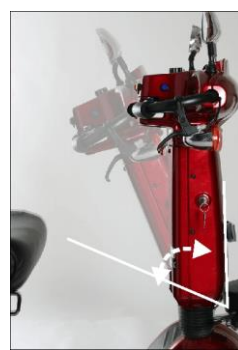


FIGURE 5.16

5.13.3 Type 3: Double-Pivot Steering Column Adjustment

5.13.3.1 Pull the steering column adjustment lever until its locking mechanism releases.

5.13.3.2 While holding the adjustment lever in and holding on to the handlebars with both hands; raise or lower the steering column to the desired position. **(See Figure 5.17)**

5.13.3.3 When you release the adjustment lever; the steering column will lock in place. You may have to move the steering column slightly up or down to hear it "click" into the locked position. **(See Figure 5.18)**



Figure 5.17

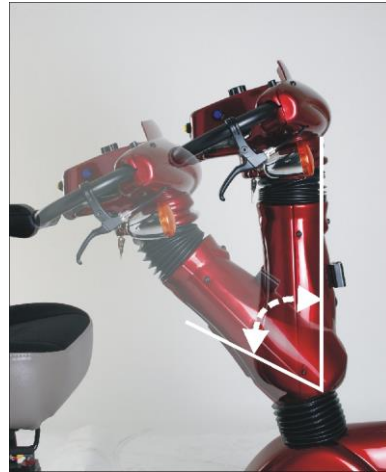


Figure 5.18

5.13.4 Type 4: Push-down Level Steering Column Adjustment

5.13.4.1 Pull down the level until its locking mechanism releases

5.13.4.2 While holding the adjustment lever, you can raise or lower the steering column to the desired position. **(See Figure 5.19)**

5.13.4.3 When you release the adjustment lever; the steering column will lock in place. **(See Figure 5.20)**



Figure 5.19

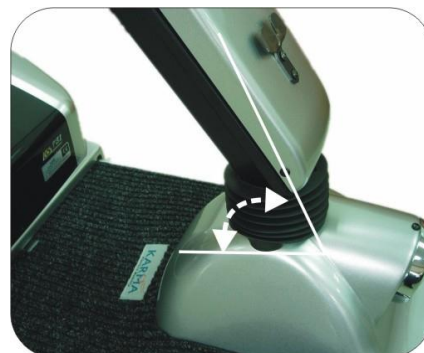


Figure 5.20

5.14 Starting and Driving

5.14.1 Make sure the driver's seat is installed properly.

5.14.2 Make sure the steering column has been secured properly.

5.14.3. Make sure the armrests have been returned to the proper down position.

5.14.4 Turn the ignition ON. If necessary, turn on the headlight and taillight.

5.14.5 Check the battery indicator and make sure there is enough power for your trip(s). If you have any doubt about the remaining power, please charge the battery before you depart.

5.14.6 Set the speed dial to the proper level.

5.14.7 Be sure the variable speed levers are in good condition.

5.14.8 Make sure the electromagnetic brake is in good working order.

5.14.9 Always make sure that your surroundings are safe to operate the scooter.



CAUTION

- Do not pull both variable speed levers simultaneously, since you might not be able to control your scooter and may cause permanent damage.
- Do not turn the ignition OFF while driving, as this will lead to an abrupt stop and possible injury.
- Do not set the speed dial on high while driving indoors.
- Do not adjust the speed dial while driving. A sudden change to the highest speed may endanger you and cause failure to your scooter.
- Do not place magnetic devices near the control panel as this may affect the operation of your scooter.
- Be careful while driving in heavy traffic and crowded areas.
- While reversing the vehicle be aware of people and objects behind you.

5.15 Driving Speed

The speed scale is printed on the speed dial label, ranging from 1 to 10, with 10 being the maximum speed. Please refer to "Max. Speed" in Section 10.

SPECIFICATIONS.

Speed Scale	Speed Equivalencies and Recommended Circumstances
1-3	Speed equivalent to walking slowly on foot On an incline or decline Driving indoors or in a narrow space
4-6	Equivalent to walking at a normal speed Driving outdoors on flat ground
Over 7	Speed equivalent to a brisk walk Driving in an open space



CAUTION

- Pull the variable speed lever slowly Pulling the variable speed lever fully from a standstill may cause a whiplash injury to the user's head. Seriously though, this scooter has the potential for sudden acceleration that may lead to injuries or accidents. Please accelerate slowly while driving carefully
- Due to the higher speeds of KS-7 series scooter, be careful not to make too tight of a turn. Hard turns at high speeds may cause your scooter to roll or tip. Karma is not responsible or liable for reckless driving by users.

5.16 To Stop

5.16.1 Release the variable speed lever completely and the electromagnetic brake will stop the vehicle.

5.16.2 Come to a complete stop before turning the ignition OFF.

5.16.3 Remove the key from the ignition for safety reasons.



CAUTION

- The stopping distance will vary with your forward/reverse speed. Therefore, please gradually slow down and come to a complete stop well before any obstacles or danger.
- To park the scooter, be sure to park on flat ground and then turn the ignition to OFF and remove the key before you exit the scooter.

6. BATTERIES AND CHARGER

6.1 Charging the Batteries

Before you attempt charging, ensure you read and understand the instruction manual supplied with the battery charger, and you choose the correct input voltage for battery charger.

6.2 Charge your batteries if any of the following conditions occur

6.2.1 If you have used your scooter for more than an hour continuously. We recommend you charge the batteries after your use.

6.2.2 You've used more than one third of the total charge.

6.2.3 When you haven't used the scooter for more than two weeks.

6.2.4 If the current charge is not enough to reach your final destination.

6.3 Be sure to precisely follow the procedures listed below

6.3.1 Turn the scooter OFF and remove the key.

6.3.2 Connect the charger's cord to a power outlet.

6.3.3 Open the charging socket cap on the steering column. Then connect the charger's round plug to the charging socket. **(See Figure 6.1)**

6.3.4 Turn on the charger with the power switch.

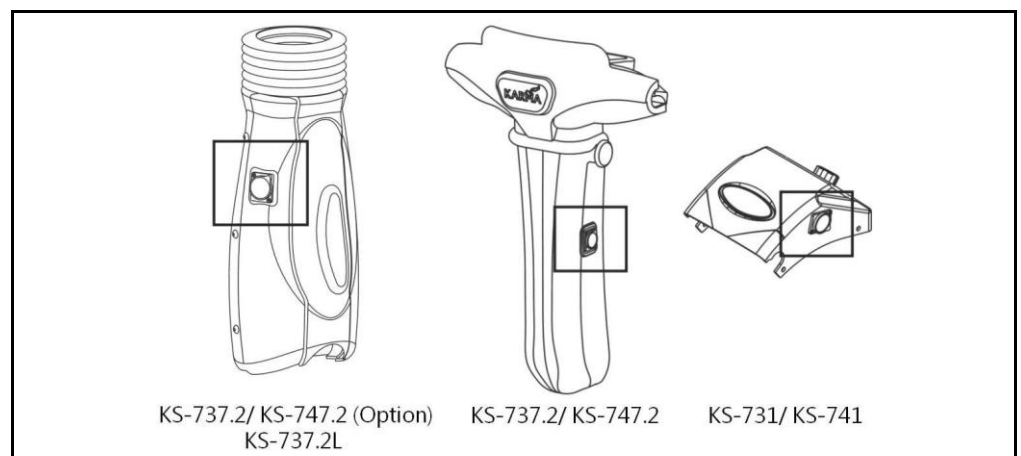
6.3.5 Both the charger's red and orange LED will light up as soon as the charging starts. The charging time is at least 6 hours, but it could be as long as 10 hours, depending on the status of the batteries and the temperature.

6.3.6 The orange LED will change to green when the charging is completed.

6.3.7 Turn off the charger, disconnect the cord and pull out the round plug from the charging socket.



Figure 6.1





SUGGESTION

- Do not disconnect the charger cord if the charging is not completed. The battery life will be seriously shortened or decayed if the batteries are repeatedly used without being fully charged. Therefore, be sure to always charge the batteries fully
- Always complete the charging by letting the charge LED light turn green. NEVER stop charging before it is complete.
- When finished charging, disconnect the charger plug from the charging socket as soon as possible. Even when the charger is turned OFF, the electric power will slowly discharge if the cord is not disconnected. DO NOT leave the charger ON connected to the scooter for more than 24 hours.
- Charging time depends on the surrounding temperature; it takes longer in the winter.



CAUTION

- New batteries MUST be fully charged prior to initial use of the powered scooter.
- Always charge new batteries before initial use or battery life will be reduced.
- As a general rule, recharge batteries as frequently as possible to assure the longest possible life and to minimize required charging time. Plan to recharge them when use of the powered scooter is not anticipated.
- Please follow the guidelines below to avoid accidents while charging.
 1. Be sure to only use a KARMA Scooter charger and charge the battery completely every time. The battery can be damaged if a non-genuine charger is used.
 2. Never disassemble or modify the charger. This will void the warranty.
 3. Please charge in a well-ventilated area where the battery is not directly exposed to sunlight. Do not charge the battery under rainfall, in morning dew or in an area where the humidity is high.
 4. Do not cover the scooter with any waterproof cloth or other objects while charging. Don't charge in temperatures less than -10°C (14°F) or higher than 50°C (122°F) as the charger may not work well and the battery may become damaged.
 5. The charger is not guaranteed to be water resistant.
 6. Valve Regulated Lead-Acid batteries do not have a memory function like cell phone batteries have. Please get in the habit of recharging your VRLA batteries frequently.



WARNING

- Keep your scooter away from flammable objects while charging, as it may lead to fire or explosion of the battery.
- Since the battery may produce hydrogen, do not smoke while charging and charge in a well-ventilated area.
- Never connect or disconnect the plug (cord) with wet hands or if the plug (cord) is wet to avoid possible electric shock.
- Never attempt to recharge the batteries by attaching cables directly to the battery terminals or clamps. **DO NOT** jump start your scooter!
- **Do NOT** attempt to recharge the batteries while the powered scooter is in operation.

The drive range per battery charge using recommended batteries should be approximately 7-8 hours of typical operation. Extensive use on inclines may substantially reduce per charge mileage

6.4 Charger

The battery charger supplied by Karma is for indoor use only, it must be protected from moisture and external heat source.



CAUTION

- Before charging, make sure to set the 115V ↔ 230V switch to match the local AC voltage. If the switch is improperly set to a lower or higher voltage position, it will cause damage to the charger, and, Change the 115V ↔ 230V switch settings only when charger is disconnected from AC line voltage.



WARNING

- The fan inside the charger will be activated when you turn on the charger. (for 8A charger will start to work as temperature is over 50°C and stop running under 50°C) If you find that the fan does not function properly, **DO NOT** use the charger. Otherwise, the charger may overheat and start a fire.

6.5 Batteries

6.5.1 Do not expose the batteries to temperatures below -10°C (14°F) or above 50°C (122°F) when charging or storing the vehicle.

6.5.2 Exceeding the specified temperature range can lead to either freezing or overheating of the batteries. This will damage the batteries and shorten their lives

6.5.3 The batteries used on your scooter are maintenance free sealed lead acid batteries. Thus, it is not necessary to change or refill the battery liquid.



WARNING

- Do not open the battery seal cap at any time.
- After ANY adjustments, repair or service and BEFORE use, make sure that all hardware is tightened securely. Otherwise, injury or damage may occur.
- When removing/installing the batteries, keep all foreign objects, especially metal, away from battery terminals.

6.6 Removing/Installing the Batteries

Always have a KARMA provider install new batteries, when moving a battery, ALWAYS hold it by its handle. It is the most convenient method and also helps to prolong the life of the battery. DO NOT tip the batteries. Keep the batteries in an upright position. The use of rubber gloves and chemical goggles is recommended when working with batteries.

6.6.1 Turn your scooter OFF and remove the key from the ignition.

6.6.2 Remove the driver's seat from the scooter. (See Figures 7.4)

6.6.3 Remove the rear casing. (See Figure 7.7)

6.6.4 Disconnect top battery harness.

6.6.5 Disconnect the connectors of the battery from the connectors of the central relay box. (See Figures 6.2, 6.3 and 7.1)

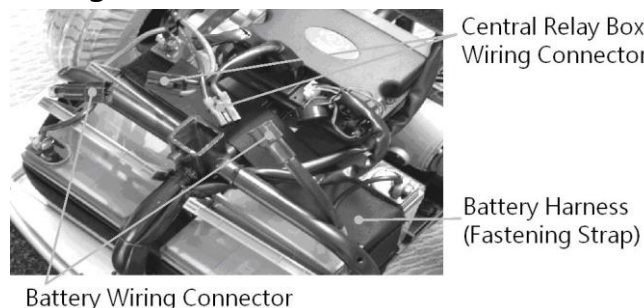


Figure 6-2



CAUTION

- Place the powered scooter in a well-ventilated area where work can be performed without risking damage to carpeting or floor covering.
- Failure to use the correct battery size and/or voltage may cause damage to the powered scooter and give unsatisfactory performance.
- When tightening the clamps, always use a box or crescent wrench. Pliers will round off (strip) the nuts. NEVER wiggle the terminal when tightening as the battery may be damaged.



WARNING

- The warranty and performance specifications contained in this manual are based on the use of deep cycle sealed lead acid batteries. Karma strongly recommends their use as the power source for this unit. We also recommend you go to an authorized Karma dealer to have a qualified technician perform this work
- NEVER allow any of your tools and/or battery cables to contact BOTH terminal posts at the same time. An electrical short may occur and injury or damage may occur.

6.6.6 Remove the batteries and cable assemblies from the scooter.

NOTE: Charge the batteries daily. It is critical not to let them run low at any time.

NOTE: Karma recommends that both batteries be replaced if one battery is defective.

6.6.7 If necessary, lift the battery terminal insulator/ boot off the battery terminal (you will need a crescent wrench.)

6.6.8 Position and secure battery cables onto new battery terminals. Connect the black cable to the negative (-) terminal. Connect the red cable to the positive (+) terminal.



WARNING

- Always connect the black cable to the negative (-) terminal first.
- Dispose of unwanted batteries according to federal, state, and local regulations. Do not burn the batteries. Batteries should be recycled. Contact authorized dealers for more information.
- DO NOT improperly dispose of unwanted batteries or injuries may occur. Contact with battery acid causes injuries or damage to skin. Mishandling can result in 2nd or 3rd degree burns or blindness. Swallowing battery acid will cause fatal burns to internal organs. Breathing fumes from a battery may cause discomfort and damage your respiratory system. Remove clothes immediately if they have been contaminated with acid.



CAUTION

- The positive (+) connector **MUST** be connected to the positive (+) terminal/post. Otherwise, serious damage will occur to the electrical system.
- Connect the battery wiring connector to the central relay box wiring connector.

6.6.9 Repeat steps 7-8 for the other battery.

6.6.10 Verify that all connections are correct and terminals are secure.

6.6.11 Install the new batteries with cable assemblies onto the scooter.

6.6.12 Charge the batteries.

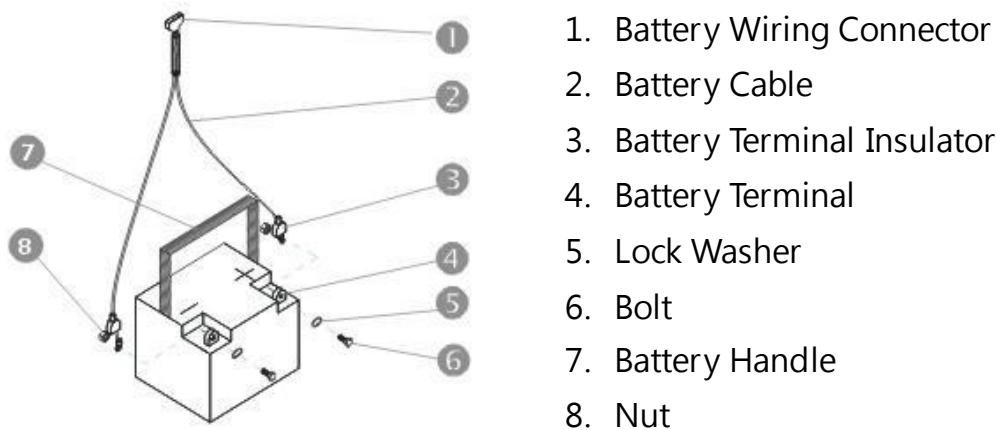


Figure 6.3

6.7 Cleaning the Batteries

If a battery is contaminated by dirty water, battery acid, dust or other soil, the battery will discharge quickly. Therefore, please follow the following steps to clean the battery:

6.7.1 Turn the power OFF ;

6.7.2 Remove the driver's seat ;

6.7.3 Remove the rear casing and unplug the taillight and signal lights from the electrical system;

6.7.4 Use a clean cloth to wipe off the soiled area ;

6.7.5 Take out the battery ; and

6.7.6 Clean the battery with a clean cloth



SUGGESTION

- If necessary, ask for help from your KARMA scooter dealer for cleaning and replacing the batteries
- Do not use the battery to charge telecom equipment or other items..
- Battery capacity will vary with outside conditions; the maximum drive range will decrease in the winter. If the vehicle is not going to be used for a long time, please remember to charge the batteries at least once every two weeks.
- Replace both batteries simultaneously.



WARNING

- Do NOT allow conductive material such as a wrench to join the two battery terminals. This will result in a short that can cause burns to you and damage the battery.
- Most batteries are not sold with instructions. However, warnings are frequently noted on top of the batteries. Read them carefully.
- Do NOT allow the liquid in the battery to come in contact with skin, clothes or other items. It is a form of acid and may cause harmful or damaging burns. Should the liquid come into contact with skin, rinse the area immediately and thoroughly with cool water. If liquid comes into contact with eyes, flush eyes immediately and seek medical attention as soon as possible.
- The use of rubber gloves and chemical goggles are recommended when working with batteries.
- NEVER smoke or strike a match near batteries.

6.7.7 Examine the battery clamps/terminals for corrosion, if the terminal is covered by white powder, please stop using the battery due to it indicates that there's possible leakage of the battery. Please replace the batteries.



WARNING

- If there are any cracks or leaks, replace the batteries IMMEDIATELY.

6.7.8 Clean the terminals and the inside of the battery clamps by using a battery cleaning tool, wire brush or medium grade sandpaper. Upon completion, these areas should be shiny, not dull.

6.7.9 Carefully dust off all metal particles.



WARNING

- There are many risks involved with improper disposal of batteries, whether damaged or not. Batteries may contain heavy metals and be considered hazardous waste.
- Many regions around the world now strictly enforce laws to help protect our environment. By not disposing of batteries properly, you may be liable for fines from your local through national government.
- By not recycling batteries, they end up in landfills that are already low on space. From these landfills, lead and other chemicals may leach into streams and rivers destroying ecosystems and poisoning local water resources.
- Improper disposal of batteries may also cause injury to unsuspecting others that come in contact with them. If you come in contact with fluids or corroded powder from a battery, rinse with water and contact a physician if necessary. If contact with eyes occurs, rinse for 15 minutes and then visit a physician.
- Incinerating or burning a battery will cause it to explode!.
- Please see the end of Section 11. Cleaning & Recycling for more information.
- Do not use an extension cord when charging your batteries. A risk of fire and /or electric shock could be encountered.

7. INSPECTION AND MAINTENANCE

7.1 Daily Check

Check the following items before driving. If you find anything abnormal, visit your KARMA scooter dealer for further inspection before using it.

Item	Inspection Content
Handlebars	Are they loose and/or making noise? Can they be turned left and right smoothly?
Speed Dial	Can it be adjusted freely and does it function well?
Variable Speed Levers	Does the scooter move when a lever is pressed? Does the scooter stop when the lever is released completely?
Motor	Is there any abnormal motor noise? Does the electromagnetic brake work properly?
Freewheel Mode	Does the freewheel lever work properly?
Battery Indicator	Does it light up when the power is ON? Is there enough power for your trip?
Horn	Does the horn work well?
Turn Signals	Do the turn signals work?
Headlight	Does the headlight work?
Taillight	Does the taillight work?
Driver's Seat	Does the driver's seat recline, slide and swivel smoothly?
Reflectors	Are they broken?
Rearview Mirrors	Are they broken?
Tires	Are there any cracks or other damage to the tires? Check the tire tread depth and air pressure.
Other	Is there any abnormal noise? Is there any oil leakage from the transmission box?



CAUTION

- Visit a KARMA Scooter dealer for inspection and maintenance if you find anything abnormal.

7.2 Regular Maintenance Record

In order to ensure that your wheelchair is in good condition, please contact Karma authorized dealers regularly and make further wheelchair inspection and maintenance records. We recommend that you inspect and maintain your wheelchair **every six months**. A maintenance/service fee may apply.



SUGGESTION

- Even if you don't use the scooter for a long time, the scooter should still be maintained regularly.
- You should clean your scooter, inside and out, regularly to keep it in good condition and safe.

I - Inspection

A - Adjustment

Δ - Repair

3 - Replacement

T - Tightening

L - Add Oil

Item/Period		1 mth	6 mth	12 mth	18 mth	24 mth	30 mth
Control Panel	Variable Speed Levers			I	I/X	I/X	I/X
	Speed Dial and Other Buttons			I		I	I
	Connection to the Electrical System			I		I	I
	Variable Speed Levers			I		I/X	I/X
Motor	Operation and Noise			I		I/X	I/X
	Electromagnetic Brakes			I		I/X	I/X
	Connection to the Electrical System						I/Δ
	Coupling between motor and differential		I	I/Δ	I/Δ	I/Δ	I/Δ
Transmission	Freewheel Mode Lever			I		I	
Batteries	Loose or Corroded Terminals			I/T		/T	
	Connection to the Electrical System			I		I	I
	Damage to the Electrical Cord/Cable			I		I	I/Δ

Item/Period		1 mth	6 mth	12 mth	18 mth	24 mth	30 mth
Charger	Charging Function and LED Lights	I	I	I/Δ	I/Δ	I/Δ	I/Δ
	Socket, Plug and Cords			I	I/Δ	I/X	I/X
	Fan Functions Properly		I	I	I	I/X	I/X
Driver's Seat	Slide, Swivel and Recline Levers			I		I	I/X
Steering Column	Turns Smoothly		I	I	I	I/3	I/3
Tires	Cracks/Surface Damage	I	I	I	I/X	I/X	I/X
	Tread Depth			I	I	I	I/X
	Abnormal Wear Pattern		I	I	I	I	I
Wheel Rim	Tightness of Bolts and Nuts			I		I	
	Wear or Deformation Around Tires			I		I	
Shock Absorbers	Tightness of Bolts and Nuts			I		I	
	Damage to Shock Absorbers					I	I/X

7.3 Batteries, Fuses and Tires

7.3.1 Batteries

Refer to Section 6. BATTERIES AND CHARGER.

7.3.2 Fuses

7.3.2.1 There are three fuses on your scooter.

7.3.2.2 Two are located inside of the control panel (0.5A & 3A on PCBA); the other is near the batteries. (5A)

7.3.2.3 If the ignition is turned ON and the battery indicator does not work, the light bulbs do not light up or your scooter won't work, have your KARMA dealer check the fuses as one of them may be broken.



CAUTION

- Ask for help from your KARMA Scooter dealer for inspecting or replacing the fuse(s), since the rear casing or control panel cover must be removed to replace a fuse. An electrical system check must also be performed to assure no damage has occurred.

7.3.3 Tires

7.3.2.1 The condition of the tires is affected by the way you drive and use your scooter.

7.3.3.2 Inspecting the tire tread: please check the tread depth regularly.

7.3.3.3 Replace the tires when the tread depth is less than 0.5 mm.



CAUTION

- When the tread depth is below 0.5 mm, the tire does not have good traction. This may lead to vehicle slippage and makes braking distances much longer. Thus, go to your Karma dealer to replace the tire as soon as possible if it has less than a 0.5 mm treads depth.
- The tire pressure must be kept at between 40-50 PSI (approx. 1.8 kg/cm or 2.75~3.45 bar=275-345 kPa) for the best drive range (maximum distance traveled per charge) and usage/handling.

7.4 General Maintenance

7.4.1 You must maintain the vehicle more frequently if you often drive on grass, sand or gravel roads.

7.4.2 Do not use water, oil or other chemical solutions to clean your scooter. Be sure NOT to spray the vehicle with water, as not to damage the electronic components and PC circuit board. Please clean the vehicle by wiping it with either a dry or moist cloth.

7.4.3 Please take the vehicle to an authorized KARMA Scooter dealer for repairs and adjustments. Improper adjustments could lead to scooter malfunction or an accident.

7.4.4 Please use a soft and dry cloth to keep your scooter clean. Use moderate or mild detergent to clean the scooter, if necessary.



CAUTION

- Before performing any maintenance, be sure to turn the ignition OFF and unplug the charger if connected.
- DO NOT over-tighten any hardware. This could cause damage to the frame and hardware.



SUGGESTION

- Do not directly spray water on your scooter to wash it as this could lead to a malfunction in the electric system.
- Do not use gasoline, solvents or other abrasive solutions; the casing may become deformed or damaged.



WARNING

- After ANY adjustments, repair or service and BEFORE use, make sure that all hardware is tightened securely, otherwise injury or damage may occur.

7.5 Suggested Maintenance Procedures

7.5.1 Before using the powered scooter, make sure all nuts and bolts are tight.

Check all parts for damage or wear and have a qualified technician replace it if necessary. Check all parts for proper adjustment.

7.5.2 Ensure that the batteries are properly maintained and charged as required.

7.5.3 Inspect the brake for proper operation

7.5.4 The wheels and tires should be checked periodically for cracks and wear, and should be replaced by a qualified technician.

7.5.5 Regularly check for loose nuts and/or bolts in the front casters and drive wheels. If they are loose, have them adjusted by a qualified technician.

7.5.6 Clean the dirt, dust and grease from exposed components.

7.5.7 A qualified technician can be found with an authorized distributor/dealer.

7.6 Transporting and Storing

Make sure the vehicle is stored with the seat set to the forward position, with the ignition turned OFF and the key removed



SUGGESTION

- Please store the scooter in a location where it is out of direct sunlight, rain and dew. When stored for a long time, please charge the batteries to full and then disconnect the battery terminals. For more details, consult your KARMA Scooter dealer.



WARNING

- As of this date, the KS-7 Series can NOT be used as seats in any vehicles. That is, KARMA recommends that users are NOT transported in any vehicle while seated in the scooter. In the case of accident or a sudden stop, the user or passengers may be at risk of getting injury. The suggested solution is to transfer the user from the scooter into a vehicle seat and to securely stow the scooter in a separate compartment.

7.7 Disassembling the Scooter

7.7.1 **NOTE:** To re-assemble the scooter, reverse the following procedure.

7.7.1.1 Remove the front basket, if applicable.

7.7.1.2 Fold the backrest down.

7.7.1.3 Remove the driver's seat. (See Figures 7.4 or 7.5)

7.7.1.4. Remove the rear casing. (See Figure 7.7)

7.7.1.5 Remove the batteries by disconnecting them from the central relay box.

(See Figures 6.5 and 7.1)

7.7.1.6 Remove the rear casing.

7.7.1.7 Tilt down the steering column all the way. (See Figure 7.2)

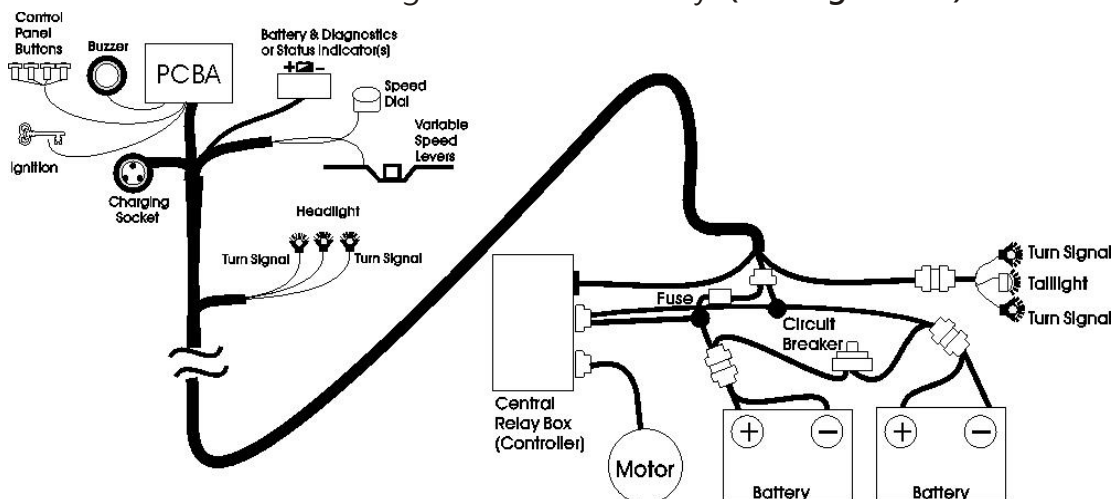


FIGURE 7.1

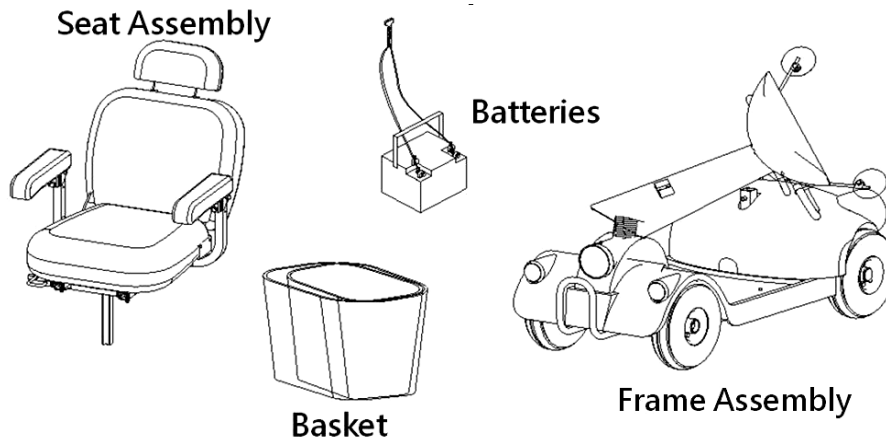


FIGURE 7.2

7.8 Removing/Installing the Seat

7.8.1 Please refer the components of the seat (see Figure 7.3) and follow the below instructions

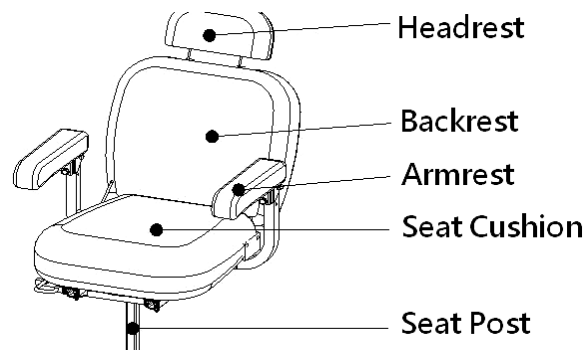


FIGURE 7.3

7.9 Removing the Seat

7.9.1 Lift the swivel lever all the way up.

7.9.2 Pull up on the swivel lever and seat until it detaches from the frame post. (see Figure 7.4)

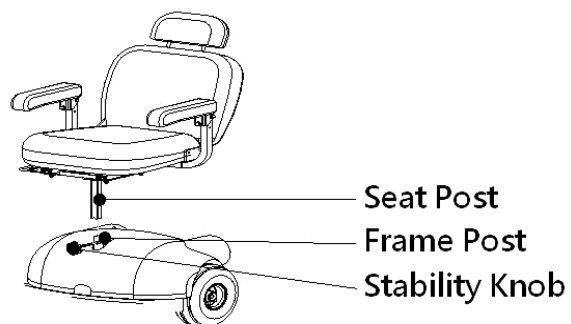


FIGURE 7.4

7.10 Installing the Seat (KS-737.2/ KS-747.2/ KS-731/ KS-741)

7.10.1 Position the seat post all the way into the frame post with the seat in the forward position.

7.10.2 Reinstall the stability knob, and hand tightens until snug. If the ride is shaky, check to see if the stability knob is tight.

7.11 Removing the Seat (KS-737.2L)

7.11.1 Lift the swivel lever all the way up.

7.11.2 Pull up on the swivel lever and seat until it detaches from the frame post.(see Figure 7.5)

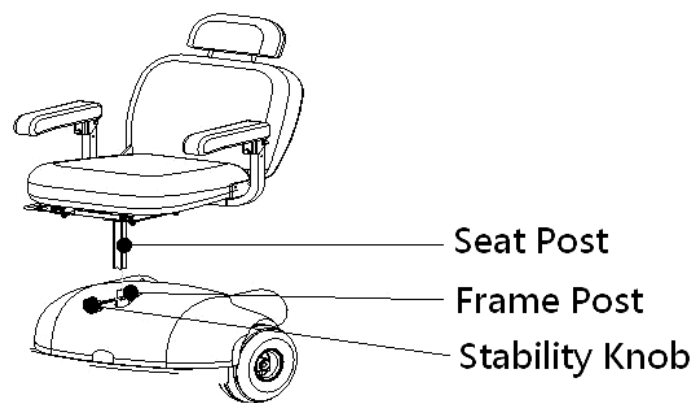


FIGURE 7.5

7.11.3 Installing the Seat (KS-737.2L)

Holding the swivel lever up, insert the seat post into the frame post. Rotate slightly until it clicks into place.

7.12 Installing a Pelvic Belt (See Figure 7.6)

7.12.1 After market pelvic belts are a great idea for all users of powered scooters.

Scooters are motorized vehicles. Some local or regional laws may require drivers to wear pelvic belts. Contact your local government center for more information to insure you use your scooter within the laws of your region.

7.12.2 Figure 7.3 shows the location where a pelvic belt can be attached by your Karma service provider. They have all the tools, service manuals and technical know-how to assure your safety through a proper installation. Karma does NOT recommend installation of a pelvic belt by anyone other than an authorized Karma service provider

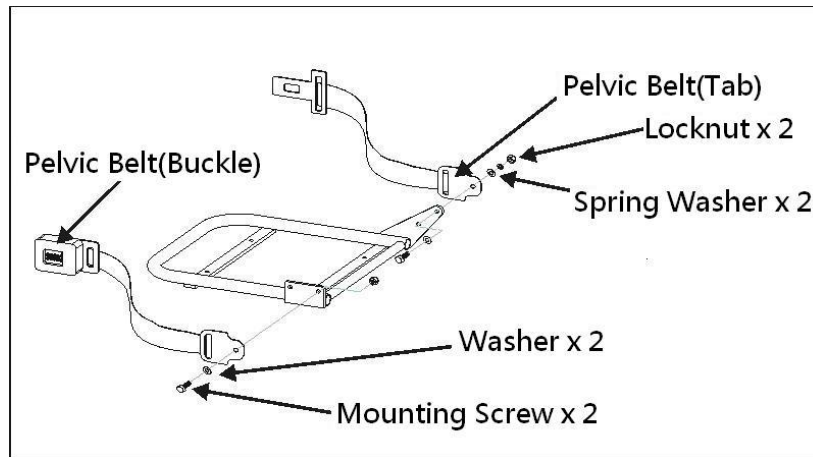


FIGURE 7.6

7.13 Removing/Installing The Rear Casing

7.13.1 Removing

To install the rear casing, reverse the following procedure.

7.13.1.1 Remove the seat.

7.13.1.2 Slowly remove the rear casing and place it on the floor close to the scooter. Disconnect the taillight wiring connector from the battery wiring connector. Arrange wires neatly with the rear casing.



CAUTION

- **CAREFULLY** remove the rear casing because the wiring connector for the taillights is connected to the batteries connectors. Otherwise, damage may occur.

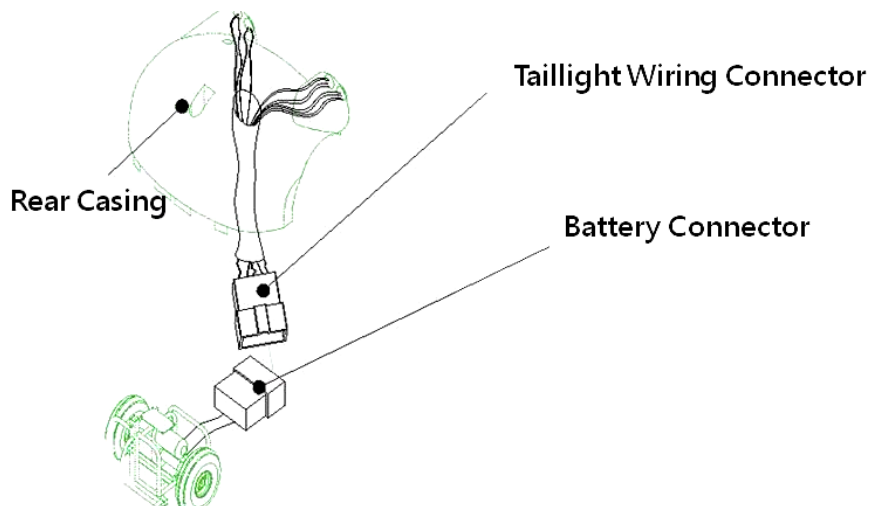


FIGURE 7.7

7.14 Adjusting the Seat Height (KS-737.2/ KS-747.2)

7.14.1 The seat post rests on a seat height adjustment pin that runs through the center of the frame post. There are two holes in the frame post that allow you to adjust the seat height to 17.5"(44.5 cm) or 18.5"(47 cm). The adjustment pin is nestled between the two batteries and is hidden behind the main wiring connected from the central relay box (controller) to the front of the scooter. (See Figure 7.8)

7.14.2 To adjust the seat height, remove the seat by following the previous instructions. Next, remove both bolts from the two frame posts. (You might want to disconnect the batteries to allow more room to work). Place the pin in the desired hole and move the wiring back into its place. Then install the seat following the previous instruction. Mission accomplished!

7.14.3 Slide the upper frame post up or down to the desired position. Place the seat height adjustment bolt in the lowest hole (of the upper frame post) and tighten its hex nut with two 17 mm wrenches. Use one 17 mm wrench to insert the threaded stability bolt in the second lowest hole (of the upper frame post which is also threaded.)

7.14.4 Now you can replace the rear casing and install the seat following the previous instructions.



CAUTION

- The stability knob should not be used to adjust the seat height

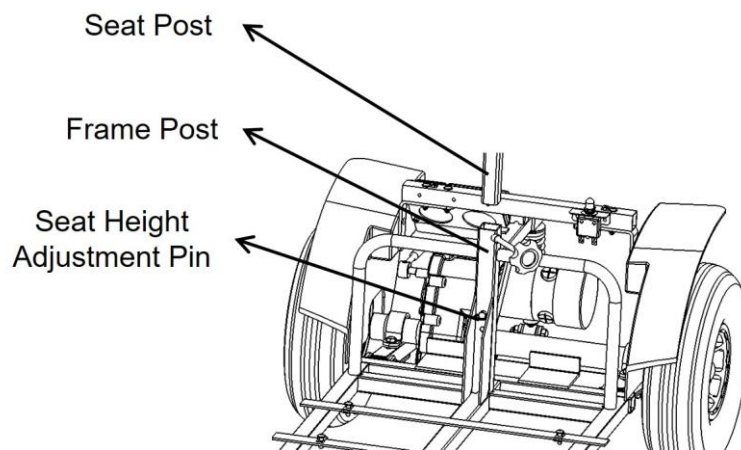


FIGURE 7.8

7.15 Adjusting the Seat Height (KS-731/ KS-741/ KS-737.2L)

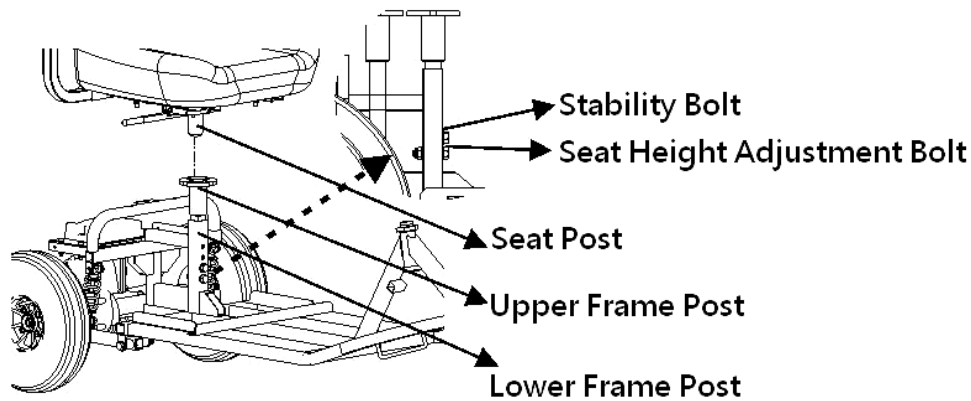


FIGURE 7.9

Note: You will need two 17 mm wrenches to adjust the seat height. Your Karma service provider would be happy to assist you in adjusting the seat height

7.15.1 The frame post is comprised of the upper and lower frame posts. The upper frame post adjusts the height by sliding inside of the lower frame post and the two are secured through the connection of two hearty bolts. The top bolt is threaded and is designed for added stability. It only goes through the front side of both frame posts. The lower bolt goes all the way through both frame posts and sets the seat height. It is not threaded as it passes through the seat posts, but has a hex nut on the backside. The seat post rests in the frame post. There are four holes in the frame post to allow you to adjust the seat height to 18" (46 cm), 19" (48.5 cm) or 20" (51 cm). **(See Figure 7.9)**

7.15.2 To adjust the seat height, remove the seat by following the previous instructions. Next, remove both bolts from the two frame posts. (You might want to disconnect the batteries to allow more room to work). Slide the upper frame post up or down to the desired position. Place the seat height adjustment bolt in the lowest hole (of the upper frame post) and tighten its hex nut using two 17 mm wrenches. Use one 17 mm wrench to insert the threaded stability bolt in the second lowest hole (of the upper frame post which is also threaded.)

7.15.3 Now you can replace the rear casing and install the seat following the previous instructions.

8. OPTIONAL ACCESSORIES

8.1 Folding Drink Holder (Figure 8.1)

8.1.1 Attaches to all KARMA scooters.

8.1.2 Collapses and adjusts to the size of the container. (6-10 cm)

8.2 Cane Holder (Figure 8.2)

8.2.1 Suitable for KARMA scooters.

8.3 Sun Canopy (Figure 8.3)

8.3.1 Compatible with all KARMA scooters. (Except KS-333/KS-343)

8.4 Storage Box Kit (Figure 8.4)

8.3.1 Suitable for KARMA scooters and for your convenience on your ride.

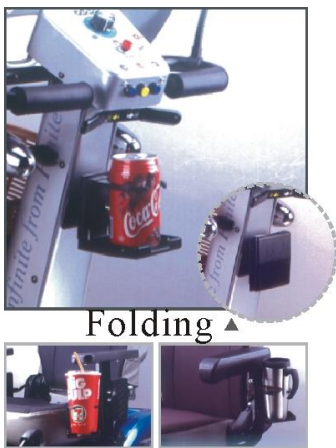


FIGURE 8.1



FIGURE 8.2

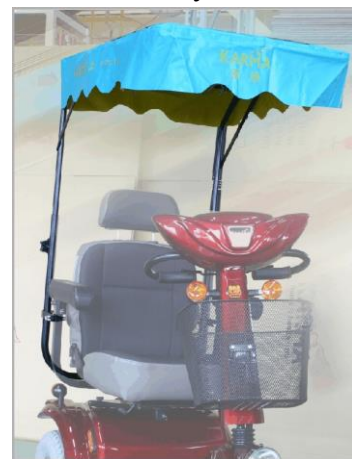


FIGURE 8.3

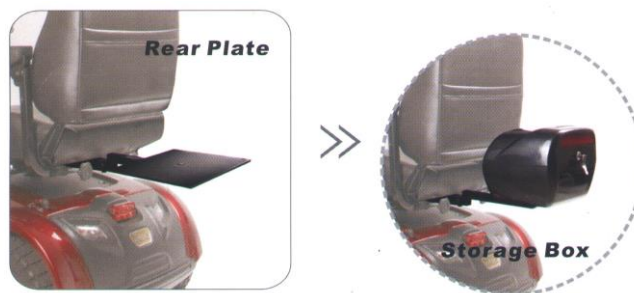


FIGURE 8.4



WARNING

- Don't use the sun canopy in strong winds to avoid tipping.
- Make sure all screws are fully tightened to avoid damage.
- Accessories add to the total weight and lower the aerodynamics of your scooter, thus reducing the maximum range per charge.

9. TROUBLE SHOOTING

Trouble or Problems with Your Scooter

You can inspect the following before taking your scooter to a KARMA scooter dealer.

Problem	Checking Points and Corrective Action
My scooter does not start	Is the power turned OFF? ↓ Turn ON the ignition.
	Do the batteries still have power? Is the battery indicator light not on? ↓ Charge the batteries.
	Is the charger plugged into the scooter? ↓ Unplug the charger and put it away.







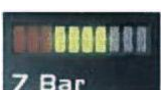
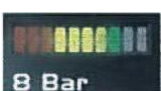


If you cannot solve the problem by yourself, contact your KARMA scooter dealer for help.

9.1 Status Indicator (LED) and Battery & Diagnostics Indicator

- 9.1.1 During the first half-second after the scooter is switched on, the central relay box (controller) is performing important safety checks within itself and the rest of the scooter's electrical system. Therefore, if you push the variable speed lever during this time, you will not be able to drive until you have returned the variable speed lever to the rest position. This condition is indicated by a rapid flashing.
- 9.1.2 If you do not push the variable speed lever (throttle) as you switch the scooter on and the status indicator flashes rapidly, then there may be a fault.
- 9.1.3 If a fault occurs and you have a scooter model fitted with a TruCharge (Battery & Diagnostics Indicator) display, you can find out what has happened by counting the number of bars that are flashing on the battery gauge. The information below gives an overview of the fault types and a list of self-help actions. Try to use this list before you contact your service agent.

Go to the number in the list, which matches the number of flashing bars, and follow the instructions.

9.1.4 S-DRIVE Controller (Check the number of bars)

Number of Bars	Battery & Diagnostics Indicator
 <p>1 Bar</p>	<p>Battery Voltage</p> <p>The batteries need charging or there is a bad connection to the batteries. Check the connections between the central relay box and the batteries.</p> <p>If the connections are good, try charging the batteries</p>
 <p>2 Bar</p>	<p>Motor Disconnected</p> <p>There is a bad connection to the motor. Check all connections between the motor and the central relay box</p>
 <p>3 Bar</p>	<p>Motor Wiring Trip</p> <p>The motor has a short circuit to a battery connection. Contact your service agent</p>
 <p>4 Bar</p>	<p>Freewheel Mode</p> <p>The freewheel switch is activated or the manual brake disengagement mechanism is operated. Check the position of the switch or lever</p>
 <p>5 Bar</p>	<p>Not used</p>
 <p>6 Bar</p>	<p>The central relay box is being inhibited from driving.</p>
 <p>7 Bar</p>	<p>Throttle Fault</p> <p>A throttle fault is indicated. Make sure that the throttle is in the rest position before switching.</p>
 <p>8 Bar</p>	<p>Possible Control System</p> <p>A controller fault is indicated. Make sure that all connections are secure.</p>
 <p>9 Bar</p>	<p>Brake Bad Connection</p> <p>The parking brakes have a bad connection. Check the parking brake and motor connections. Make sure the controller connections are secure.</p>
 <p>10 Bar</p>	<p>Battery Connection</p> <p>An excessive voltage has been applied to the controller. This is usually caused by a poor battery connection. Check the battery connections</p>

9.1.5 Rhino 2 Controller (Check the number of flash times)

Flash*	Description	Meaning
1	Battery Low	The batteries are running low or are in an over-discharged state. <ul style="list-style-type: none"> Recharge the batteries.
2	Low Battery Fault	The batteries have run out of charge. <ul style="list-style-type: none"> Recharge the batteries. Check the battery and associated connections and wiring.
3	High Battery Fault	Battery voltage is too high. This may occur if overcharged &/or travelling down a long slope. <ul style="list-style-type: none"> If travelling down a slope, reduce your speed to minimise the amount of regenerative charging.
4	Current Limit Time-out or Controller too hot	The motor has been exceeding its maximum current rating for too long. <ul style="list-style-type: none"> The scooter may have stalled. Turn the controller off, leave for a few minutes and turn back on again. The motor may be faulty. Check the motor and associated connections and wiring.
5	Park Brake Fault	Either a park brake release switch is active or the park brake is faulty. <ul style="list-style-type: none"> Check the park brake and associated connections and wiring. Ensure any associated switches are in their correct positions.
6	Drive Inhibit	Either a Stop function is active or a Charger Inhibit or OONAPU condition has occurred. <ul style="list-style-type: none"> Release the Stop condition (seat raised etc.) Disconnect the Battery Charger Ensure the throttle is in neutral when turning the controller on. The Throttle may require re-calibration.
7	Speed Pot Fault	The throttle, speed limit pot, SRW or their associated wiring may be faulty. <ul style="list-style-type: none"> Check the throttle and speed pot and associated connections and wiring.
8	Motor Voltage Fault	The motor or its associated wiring is faulty. <ul style="list-style-type: none"> Check the motor and associated connections and wiring.
9	Other error	The controller may have an internal fault. <ul style="list-style-type: none"> Check all connections and wiring.

10. SPECIFICATIONS

Product Model	KS-731	KS-741
Nominal seat width (mm/in)*	430 / 18	430 / 18
Nominal seat depth (mm/in)**	435 / 18	435 / 18
Front casters / Drive wheels size (in)	10 / 12	12 / 12
Backrest height (mm)	510	510
Headrest height above seat (mm)	580 ~ 645	580 ~ 645
Armrest to seat distance (mm)	215 ~ 285	215 ~ 285
Seat surface height at front edge (mm)	630 ~ 680	630 ~ 680
Footrest to seat distance (mm)	450 ~ 500	450 ~ 500
Effective seat width (mm)	430	430
Effective seat depth (mm)	435	435
Seat plane angle (X°)	3	2
Backrest angle (X°)	0 ~ 48	0 ~ 46
Seat to backrest angle (X°)	90 ~ 130	90 ~ 130
Overall length with legrest (mm)	1280 ~ 1630	1370 ~ 1675
Overall width (mm)	680	670
Overall height (mm)	1130 ~ 1360	1145 ~ 1345
Folded length (mm)	1280	1370
Folded width (mm)	680	670
Folded height (mm)	970	970
Total mass (kg)	102.2	112.6
Total mass without batteries (kg)	70.0	82.6
Mass of the heaviest part (kg)	48.0	60.6
Maximum user weight (kg)	135	135
Motor power (W)	550	550
Battery capacity (Ah)	50*2	50*2
Charger output current (A)	6	6
Drive range (km)***	42	42
Battery Compartment (L x W x H) (mm)	260 x 195 x 210 (single compartment)	260 x 195 x 210 (single compartment)
Maximum speed forward (km)	15	15
Minimum braking distance from max speed (mm)	3500	3500

Obstacle climbing (mm)	75	90
Ground clearance (mm)	35	43
Minimum turning radius (mm)	1100	1755
Reversing width (mm)	1460	1950
Static stability downhill (X°)	19	19
Static stability uphill (X°)	16	17
Static stability sideways (X°)	11	15
Dynamic stability uphill (X°)	6	6
Ability to climb rated slope (X°) ^{***}	10	10

* **Nominal seat width** is measured the width of seat cushion at 120mm in front of the backrest. This value is mainly used in the product ordering process.

** **Nominal seat depth** is measured from the front end of the seat cushion to the back cushion. This value is mainly used in the product ordering process.

*** **Drive range/ Ability to climb rated slope** are estimated based on the following conditions: 20°C~35°C, 135 kg occupant, brand new fully charged batteries and driving on the flat road.

- The actual product specifications differ from the data in the table by ± 1 cm ± 0.5 kg.
- The actual product specifications may vary according to different configurations.
- Karma reserves the right to modify information herein without further notice.
- If you want to know more about the measurement methods of wheelchair specifications, please scan the QR code to watch the instructions on the Karma website.



Product Model	KS-737.2L	KS-737.2	KS-747.2
Nominal seat width (mm/in)*	480 / 20	430 / 18	430 / 18
Nominal seat depth (mm/in)**	495 / 20	435 / 18	435 / 18
Front casters / Drive wheels size (in)	10 / 14	10 / 12	12 / 12
Backrest height (mm)	550	510	510
Headrest height above seat (mm)	680 ~ 725	580 ~ 645	580 ~ 645
Armrest to seat distance (mm)	215 ~ 285	215 ~ 285	215 ~ 285
Seat surface height at front edge (mm)	590 ~ 640	600 ~ 625	610 ~ 635
Footrest to seat distance (mm)	505 ~ 555	450 ~ 475	450 ~ 475
Effective seat width (mm)	480	430	430
Effective seat depth (mm)	495	435	435
Seat plane angle (X°)	0	5	3
Backrest angle (X°)	0 ~ 69	0 ~ 41	0 ~ 37
Seat to backrest angle (X°)	90 ~ 158	90 ~ 130	90 ~ 130
Overall length with legrest (mm)	1490 ~ 1945	1230 ~ 1650	1330 ~ 1800
Overall width (mm)	670	615	670
Overall height (mm)	1115 ~ 1490	1100 ~ 1340	1100 ~ 1340
Folded length (mm)	1365	1225	1330
Folded width (mm)	670	615	670
Folded height (mm)	955	880	880
Total mass (kg)	133.2	103.1	109.6
Total mass without batteries (kg)	79.2	72.5	79.0
Mass of the heaviest part (kg)	58.0	49.4	54.0
Maximum user weight (kg)	160	135	135
Motor power (W)	700	550	550
Battery capacity (Ah)	80*2	50*2	50*2
Charger output current (A)	8	6	6
Drive range (km)***	63	42	42
Battery Compartment (L x W x H) (mm)	310 x 170 x 230 (single compartment)	200 x 165 x 205 (single compartment)	200 x 175 x 200 (single compartment)
Maximum speed forward (km)	15	15	15
Minimum braking distance from max speed (mm)	4400	3500	3500
Obstacle climbing (mm)	75	75	100
Ground clearance (mm)	110	85	80

Minimum turning radius (mm)	1500	1090	1575
Reversing width (mm)	1795	1500	1830
Static stability downhill (X°)	19	17	18
Static stability uphill (X°)	16	15.5	15
Static stability sideways (X°)	14	10.5	17
Dynamic stability uphill (X°)	6	6	6
Ability to climb rated slope (X°)***	10	10	10

* **Nominal seat width** is measured the width of seat cushion at 120mm in front of the backrest. This value is mainly used in the product ordering process.

** **Nominal seat depth** is measured from the front end of the seat cushion to the back cushion. This value is mainly used in the product ordering process.

*** **Drive range/ Ability to climb rated slope** are estimated based on the following conditions: 20°C~35°C, 135/160 kg occupant, brand new fully charged batteries and driving on the flat road.

- The actual product specifications differ from the data in the table by ± 1 cm ± 0.5 kg.
- The actual product specifications may vary according to different configurations.
- Karma reserves the right to modify information herein without further notice.
- If you want to know more about the measurement methods of wheelchair specifications, please scan the QR code to watch the instructions on the Karma website.



PARAMETER	RANGE	CHARACTERISTICS
Forward Acceleration	1-100	Smaller value yields faster acceleration and vice versa
Forward Deceleration	1-100	Smaller value yields faster deceleration and quicker E.M. Brakes and vice versa
Reverse Acceleration	1-100	Smaller value yields faster acceleration and vice versa
Reverse Deceleration	1-100	Smaller value yields faster deceleration and quicker E.M. Brakes and vice versa
Forward Speed	0-100	Smaller value yields a lower maximum speed and vice versa
Reverse Speed	0-100	Smaller value yields a lower maximum speed and vice versa
Throttle Polarity Yes/No		Yes = right speed lever is forward; No= left speed lever is forward and vice versa
Automatic Shutdown Time	0-20 MINUTES	1-20 = minutes before shutdown time 0 = no automatic shutdown

Karma's Quality Control team sets the parameters of your central relay box (controller) for optimum performance within the regulations of EN-12184. These parameters were double checked by the QC team before your scooter left our factory.

These parameters may be changed to suit certain individuals' specific needs and requirements. If you need the parameters changed, please contact your dealer who will put you in contact with our agent. They will know how to use the programmer properly to "dial in" your scooter for your optimum usage. The programmer's effect on the performance quality can be seen in the above chart.



WARNING

- The safety limits that are set in EN 12184 tables 2 and 3 may be exceeded by changing the parameters of the controller with a programmer. It is illegal to exceed these limits. Your Karma agent and authorized service representative know these limits and will adjust the performance quality within these limits to assure your safety, if you require the factory set parameters to be altered.

11. CLEANING & RECYCLING

11.1 Cleaning

- 11.1.1 In order to lengthen the life of your scooter, it is suggested that you clean the scooter periodically (if not daily), especially after it is used in the rain or snow.
- 11.1.2 We suggest that you don't use your scooter in the rain or snow.
- 11.1.3 If you are traveling and get caught in the rain, we suggest you try to find shelter and turn OFF your scooter while waiting it out.
- 11.1.4 If you can't find shelter, proceed to your destination.
- 11.1.5 However we do not recommend you do this often as it may shorten the life of your scooter or cause damage.
- 11.1.6 Driver's seat upholstery: use soapy water. Wring out the sponge/ cloth before scrubbing. Do not use the scooter until it is dry.
- 11.1.7 Frame: wipe with a damp cloth, but be sure not to splash/spray the scooter with water, as doing so may damage the motor, electrical wiring and battery.
- 11.1.8 If compressed air is available, you can use the compressed air to clean your scooter (do not exceed 7K and keep the nozzle at least 10 cm away from your scooter).
- 11.1.9 Casing: wipe with a damp cloth. After it is dry, coat the casing with a light layer of wax, if desired.

11.2 Post-Consumer Recycling

- 11.2.1 A post-consumer recycling plan should follow the Environmental Protection Administration's regulations.
- 11.2.2 The items listed below are for reference only as local law and regulation may vary.

Material	Part Name	Method
Steel	Frame	Recyclable
ABS	Casing	Recyclable
Various	Battery	Recyclable
Various	Motor/Reduction Gear	Recyclable
Various	Electric Parts	Recyclable

- 11.2.3 There are many organizations in many countries you can find on the internet that will accept used goods for charity or disassemble electronic equipment

and batteries to recycle them.

11.2.4 Please search the information highway to help less fortunate individuals and protect our planet for future generations.

11.2.5 If you do not have access to the world wide web please use your local phone directory, ask for operator assistance or go to your local government center for more information.

11.2.6 Various parts of this scooter should be recycled to the collection and recycling location nearest to you. Earth Day is every day.

Check with your local recycling center on where and how to recycle used batteries as this information varies from region to region.



12. WARRANTY

12.1 Serial Number

To ensure after-sale service and warranty, please record and fill in the vehicle identification number. The serial number can be found on the steering column below the control panel.

Material	KS-737.2 / KS-747.2 / KS737.2L / KS-731 / KS-741
Serial Number	

12.2 Contents of Warranty

12.2.1 Repair will be provided free of charge if the problems are due to manufacturing or defective components within the warranty period (a repair of this kind will hereafter be called warranty repair).

12.2.2 The warranty repair can be performed by authorized KARMA scooter dealers only.

12.2.3 KARMA is not responsible for the transportation costs for repair and replacement.

12.2.4 Replaced parts will be the property of KARMA.

12.3 Warranty Duration and Parts Covered by the Warranty

Items	Warranty Duration
Electronic Items (Motor, Controller, Charger)	One year from the date of purchase.
Frame	Five years from the date of purchase.
Batteries	Please contact your local dealer for detailed information.

12.4 Items Not Covered

The items listed below are not covered:

12.4.1 Consumable parts such as brake shoes or pads, clutch shoe and lining, light bulbs, fuses, upholstery and seating, brake cable, oil seal packing and gasket, screws/bolts and washers, lubricant oil and grease, carbon brush inside the motor, battery liquid, footrest carpet, et cetera;

- 12.4.2 Those that do not affect the quality and functioning of the scooter such as noise or vibration;
- 12.4.3 Wear and tear resulting from usage as well as conditions resulting from lapse of time (e.g., normal aging and deterioration of paint, electroplating, plastic parts, etc);
- 12.4.4 Damage due to a lack of maintenance or improper operation and storage;
- 12.4.5 Fees for routine inspections, adjustments, adding oil, cleaning and other maintenance;
- 12.4.6 Fees for regular inspections and maintenance; and
- 12.4.7 Any fees incurred as a result of warranty repair, loss or compensation because of the unavailability of the scooter (telephone use, shipping, car rental, travel costs, et cetera).

12.5 Problems Not Covered

Problems caused by the following reasons are not covered:

- 12.5.1 Failure to carry out the regular inspection and maintenance recommended by this owner's manual;
- 12.5.2 Improper storage;
- 12.5.3 Tampering by changing or adding components to the vehicle, which are not approved by KARMA;
- 12.5.4 Damage caused by using non-KARMA genuine parts or other parts not recommended by KARMA;
- 12.5.5 Abuse or misuse of the vehicle such as driving over curbs and overloading the scooter with passengers or goods;
- 12.5.6 Driving in places where the vehicle should not normally be driven or used;
- 12.5.7 Damage or surface corrosion from environmental factors such as airborne fallout (chemicals, tree sap, et cetera), stones, hail, windstorms, lightning, floods and so on;
- 12.5.8 Change of any material or component parts not authorized by KARMA (Don't carry objects that may lead to the scooter being unbalanced) ;
- 12.5.9 The scooter shall not be pulled or pushed by another vehicle when there is a person on the scooter or the drive wheels are not set to the freewheel mode; and having its structure inspected.
- 12.5.10 Do not drive a scooter that is older than 10 years without having the structure inspected.

12.6 The Responsibilities of the User

The following items are the responsibility of the user:

- 12.6.1 Proper use of the vehicle in accordance with this Owner's Manual;
- 12.6.2 Performance of the daily inspections;
- 12.6.3 Performance of the regular maintenance recommended by KARMA; and
- 12.6.4 Keep a record of vehicle inspection and maintenance in the back of this Owner's Manual.

12.7 Warranty Effectiveness

The warranty form must be completely filled out and stamped by the KARMA dealership where the scooter was purchased.

12.8 Transfer of Warranty Rights

If you purchase a second-hand KARMA scooter while it is still with in the warranty period, bring the Owner's Manual and the vehicle to the dealership where the scooter was purchased for registration.

Warranty Form (You may photocopy this from)

Full Name	
Gender	
Date of Birth	Year Month Day
Address	
Model No.	<input type="checkbox"/> KS-731 <input type="checkbox"/> KS-741 <input type="checkbox"/> KS-737.2 <input type="checkbox"/> KS-737.2L <input type="checkbox"/> KS-747.2
Serial Number	
Date of Purchase	Year Month Day
Purchaser Signature	

Dealer's Data

Name of the Store	
Phone No. and Address	

If you have any suggestions on how to improve our products, please don't hesitate contacting your local dealer to let us know what you think of your scooter. Thank you and enjoy.

karma

A Better Wheelchair, A Better Fit



KARMA MOBILITY S.L European Support Center.
www.karmamobility.es
+34 984 390 907
karma@karmamobility.es

KARMA MEDICAL PRODUCTS CO., LTD.
www.KarmaMedical.com
+886 5 206 6688
globalsales@karma.com.tw

(110404050037) Release Date: Feb. 2022 V.25