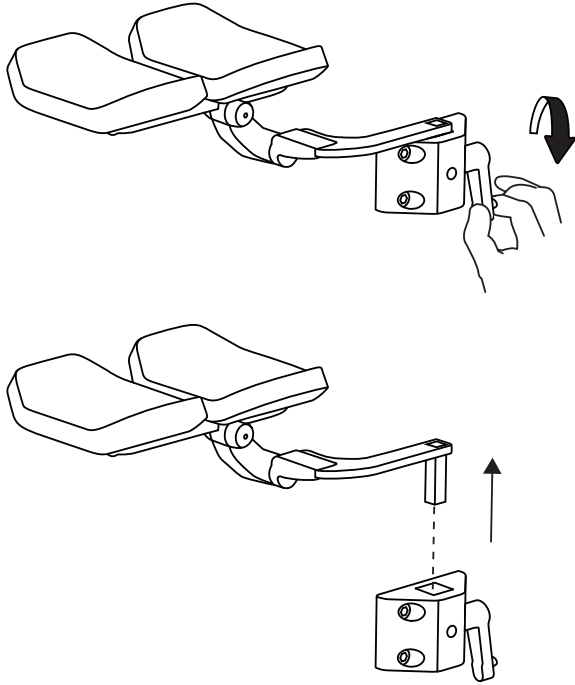


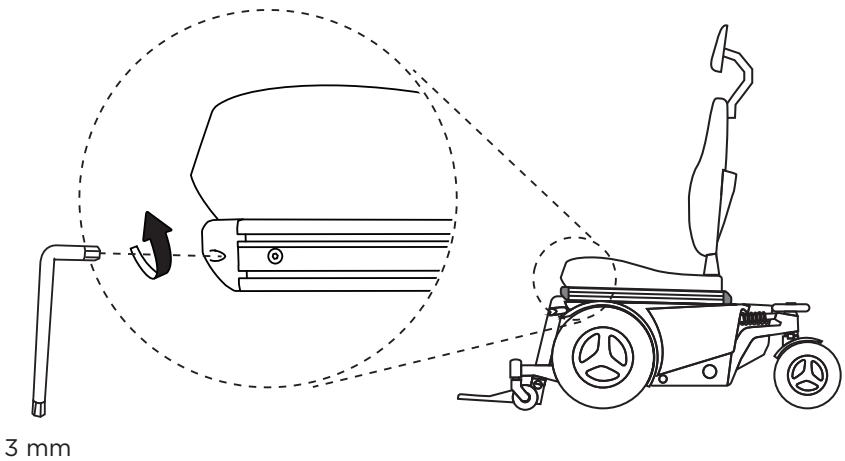
1X

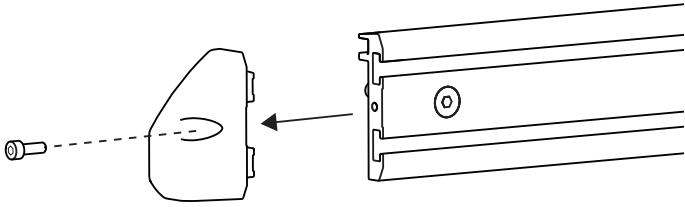
1X

1

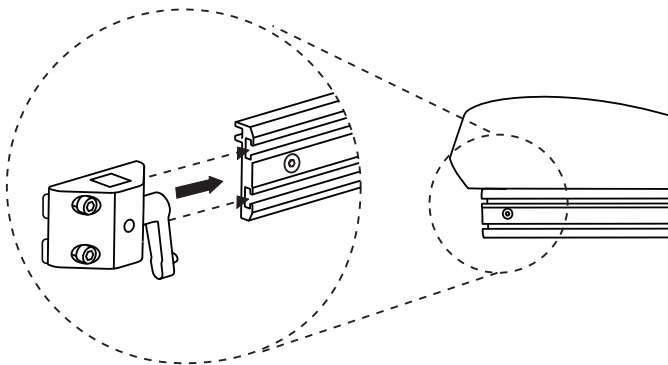
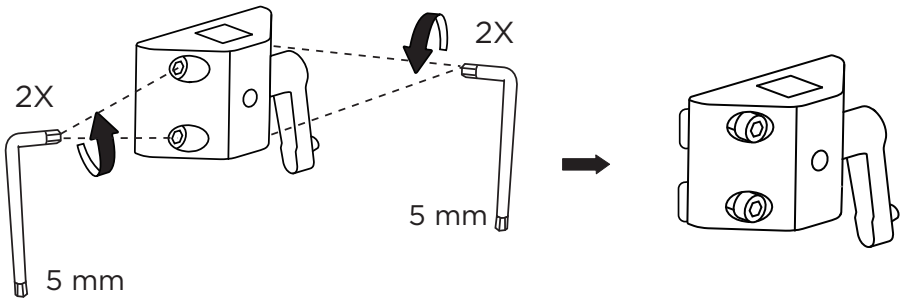


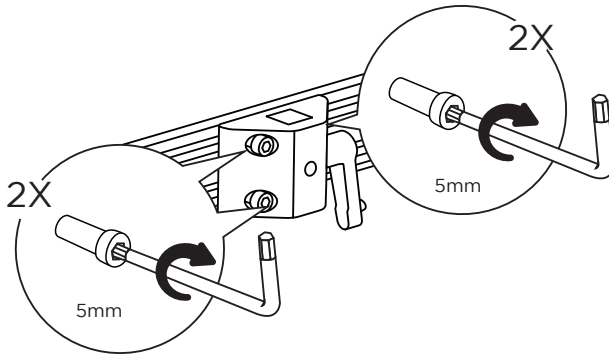
2



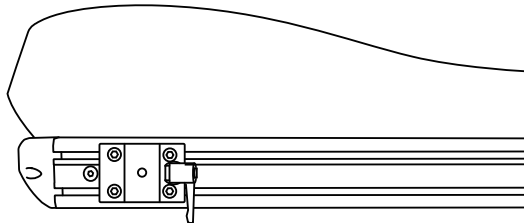
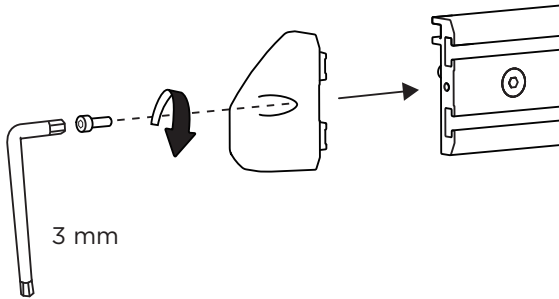


3

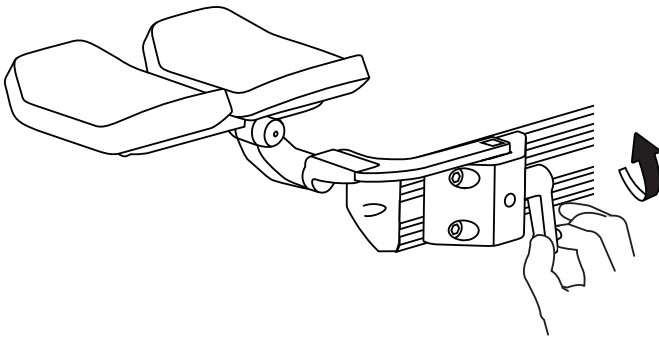
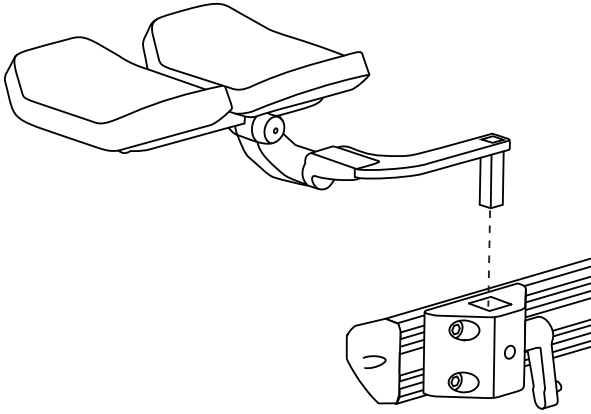




4



5



# **karma**

A Better Wheelchair, A Better Fit

**KARMA MEDICAL PRODUCTS CO., LTD.**

[www.karmamedical.com](http://www.karmamedical.com)  
T +886-5-206 6688

Email: [globalsales@karma.com.tw](mailto:globalsales@karma.com.tw)  
F +886-5-206 7788

**CE ISO13485**

89990000071 Rev.01 Nov.2023