

karma

User manual

SME



CE UK
CA

A Better Wheelchair, A Better Fit

GENERAL WARNING



WARNING:

- Use of this product requires a clinician's diagnosis of suitability with non-obstructed hip joint and stable lower extremities and good bone status.
- DO maintain your chair well, in particular check the tyre(tire) pressure since this affects the efficiency of the brakes.
- DO make sure both brakes are applied before getting in or out of the chair.
- DO make sure both brakes are applied when the chair is not being pushed or used.
- DO take care when climbing kerbs (curbs) or turning on slopes.
- DO avoid steep or uneven surfaces that may cause the chair to tip over.
- DO avoid soft surfaces because the castors (casters) may become bogged down.
- DO travel smoothly in all conditions.
- DO look well ahead to anticipate hazards such as furniture, doors, potholes, etc.
- DO make sure that both feet are safely on the footrests and that clothing is safely tucked out of the way so that it cannot get caught in the wheels.
- DO take care when traveling up or down or across inclines.
- DO keep both hands on the push handles to control the chair, if you are the attendant.
- DO pay attention to keep the chair balanced.
- DO check the frame and components regularly and refer to this user guide during and after the warranty period.
- DO tie-up the upholstery or replace which with a new one when it becomes loose.
- DO lubricate bearings regularly.
- DO equip with anti-tippers to avoid falling backwards.
- DO equip with a seat belt designed for disabled people.
- DO equip with "ankle supports" for disabled people.
- DO clean both hands after oiling the wheelchair.
- DO tighten the screws of headrest tubes.
- DO NOT overload the chair in any circumstance.
- DO NOT hang anything heavy on the back of the chair that could cause the chair to become unstable, particularly when negotiating inclines.
- DO NOT allow more than one user at a time.
- DO NOT use with an unconscious patient.
- DO NOT use other transport to pull the wheelchair.
- DO NOT do "wheelies", as you may fall or tip over backwards and suffer a severe injury.
- DO NOT sit in a wheelchair within a moving vehicle unless it has affixed the labels of hook mark.
- DO NOT go too fast or turn too quickly.

- DO NOT stand on the footplates when getting in or out of the chair.
- DO NOT go down steps forward, whether solo or with an attendant.
- DO NOT attempt to lift the wheelchair by any removable (detachable) parts.
 - Lifting by means of any removable (detachable) parts of the wheelchair may result in injury to the user and/or assistant or damage to the wheelchair.

YOU AND YOUR KARMA SERVICE PROVIDER

- No tools are required for assembly. Your wheelchair should be assembled by your authorized KARMA dealer. Your authorized KARMA dealer is also your service provider. Unauthorized repairs, upgrades and add-ons will negate your warranty. Anything wheelchair related that requires tools should be done by your authorized KARMA service provider. Your KARMA service provider has the necessary service/maintenance owner' s (manual) for your wheelchair.
- If you have any defective parts or lose any parts, please contact your dealer for repair and/or replacement. Please only use parts authorized by KARMA. Use of parts that are not authorized by KARMA will negate your warranty.
- Part numbers are listed on our bill of materials (explosion drawings), which we give to our authorized dealers and service providers. Customers should order parts through their dealer as well as all repairs and scheduled maintenance.
- Customers should go to their dealership for all service needs to guarantee their warranty is not nullified. Always go to an authorized service provider. Unauthorized repairs will nullify your warranty. Procedures other than those described in this owner' s (manual) must be performed by a qualified technician. They also have the service owner' s (manual) with a complete list of maintenance required to keep your KARMA wheelchair in top performance. Check the warranty section of this owner' s (manual) to find out what KARMA guarantees and what maintenance and parts you will have to pay for.
- KARMA does not have an official list of service providers at this time. Please contact your dealer for service. If you cannot contact your dealer, please contact another authorized KARMA dealer for service. If all else fails, contact KARMA directly via our website or give us a call and we can refer you to your new service provider.

CE MARKING

This wheelchair complies with the requirements of the Medical Devices Regulation (EU) 2017/745.



CAUTION:

Before purchasing and using KARMA wheelchairs, please consult qualified professionals so as to ensure that you choose suitable products and use them correctly as well. For safety reasons, if there is any risk due to the user' s movement in the wheelchair or other environmental factors that might cause the wheelchair to tip or the person on the wheelchair to fall off, KARMA recommends that you install anti-tippers, safety belt, or other additional safety accessories.




TABLE OF CONTENTS

1. PREFACE	1
2. SAFETY	2
2.1 DOORWAYS	2
2.2 LEANING	2
2.3 NAVIGATING INCLINES	2
2.4 KERBS(CURBS).....	2
2.5 STAIRS.....	3
2.6 STREETS	3
2.7 GENERAL.....	3
2.8 UPHOLSTERY.....	3
2.9 ANTI-TIPPERS	3
2.10 MAXIMUM USER WEIGHT LIMIT	3
2.11 AVOID GENERAL MISUSE.....	4
2.12 LABELING.....	5
3. INTENDED USE & PARTS.....	6
3.1 INTENDED USE.....	6
3.2 PARTS DESCRIPTION.....	7
4. OPERATION.....	8
4.1 PREPARING FOR USE	8
4.2 ADJUSTMENTS.....	10
4.3 STAND-UP UNIT	14
4.4TRANSPORTING AND STORING.....	17
4.5 TRANSFERRING IN AND OUT.....	17
4.6 GENERAL USE.....	18
5. INSPECTION AND MAINTENANCE.....	23
5.1 DAILY CHECK	23
5.2 REGULAR MAINTENANCE RECORD.....	23
6. OPTIONS AND ACCESSARIES.....	25
7. TROUBLESHOOTING	26
8. SPECIFICATIONS.....	27
9. CLEANING & RECYCLING	29
9.1 CLEANING	29
9.2 POST-CONSUMER RECYCLING	29
10. WARRANTY.....	30
10.1 SERIAL NUMBER.....	30
10.2 WARRANTY POLICY.....	30

1. PREFACE

Please carefully read this owner's(manual) before using the wheelchair. Improper use of the wheelchair could result in harm or injury. Therefore, for safe and enjoyable use of the wheelchair, please read this owner's(manual).

- This owner's(manual) includes operation instructions for the aspects of the wheelchair, unfolding/folding instructions, and instructions on how to deal with possible accidents.
- This owner's(manual) is written for KARMA wheelchair: SME series.
- The symbols used in this owner' s(manual) are explained below. Pay special attention to the parts marked with these symbols.

	WARNING:	Improper use could lead to serious injury or death.
	CAUTION:	Improper use could lead to serious injury and/or damage to your wheelchair.
	SUGGESTION:	Follow these instructions to keep the wheelchair in good condition.

- This owner' s(manual) includes the repair and maintenance chart as well as the warranty.
- If someone else uses the wheelchair, make sure that you give him or her this owner's(manual) for his or her reference.
- As designs change, some illustrations and pictures in this owner' s(manual) may not correspond to the wheelchair that you purchased. We reserve the right to make design modifications without further notice.

2. SAFETY

2.1 Doorways

The safest way to operate the chair is on level floors that are free of obstacles. Whenever possible use a ramp to enter or exit a facility. Keeping your hands on the push rims will allow you to maintain maximum balance. Do not try to force yourself over an obstruction by propulsion and never use the sides of a doorway to pull yourself through a passageway.

2.2 Leaning

Do not lean over the side of your wheelchair since such an action may cause you to lose balance and fall. (See Figure 2.1)

2.3 Navigating Inclines

- Never turn on a hill due to the danger of tipping.
- When assisting, go straight up a slope. If user needs to go down midway, walk backwards until user is on level ground. (See Figures 2.2 and 2.3)
- Avoid stopping on an incline; it can potentially cause you to lose control of the chair.
- Do not use the brakes to slow down or stop the wheelchair; this could cause it to seize up, causing you to lose control or fall out of the chair.
- Whenever possible, utilize help from an assistant/attendant while navigating inclines.

2.4 Kerbs (Curbs)

- Whenever possible get help from an assistant/attendant (if you have assistance make sure that your chair is equipped with push handles).
- Avoid hard impacts when descending a kerb (curb). A hard impact could adversely affect the chair.
- Never try to scale or descend kerbs (curbs) that exceed a normal height. (30-50mm)
- Always be careful when climbing kerbs (curbs) and never move up or down a kerb (curb) in reverse without an assistant.

2.5 Stairs

- Always use two or more assistants.
- Never go down steps forwards.
- Never use an escalator for transport, use an elevator.

2.6 Streets

- Always use extreme caution when crossing streets. Reflective tape on the chair and/or your clothing will make you more visible to drivers.
- Avoid potholes and rough terrain that might cause the castors(casters) to become stuck.(See Figure 2.4)

2.7 General

- The expected service life of the product is **five years**, presuming that the product is used daily in accordance with the safety operation instructions, inspection and maintenance instructions, and intended use, which described in this manual.
- Always make sure BOTH brakes are applied before getting in or out of the chair.
- Never stand on the footplates when getting in or out of the chair.
- Never carry more than one passenger. KARMA wheelchairs are limited to one user.
- Use caution to assure your clothing doesn't get tangled with the wheels.

2.8 Upholstery

- When cleaning the upholstery, use warm water and a mild soap.
- Upholstery cleaner/foam can also be used, but avoid other cleaning solvents.

2.9 Anti-tippers

Please purchase anti-tippers and always use them to avoid personal injury. (See Figure 2.6)

2.10 Maximum User Weight Limit

Refer to "Max. User Weight" in section 8. SPECIFICATIONS. Loads exceeding maximum capacity can damage your wheelchair and cause malfunctions yielding a safety hazard. The warranty does not cover damage caused by improper operation of the wheelchair.

2.11 Avoid General Misuse

- Please note that our "Owner' s (Manual)" contains a number of cautions -- any vehicle can cause injury if misused -- use within our guidelines and with reasonable care and your safety will be increased. Your wheelchair will give years of safe use if used sensibly and carefully. Be aware that careless use endangers your own safety as well as that of others. ALWAYS follow the Highway Code when outdoors and the guidelines written in this owner' s (manual).
- Do not let children stand or play on the wheelchair. (See Figure 2.5)



Figure 2.1



Figure 2.2



Figure 2.3



Figure 2.4



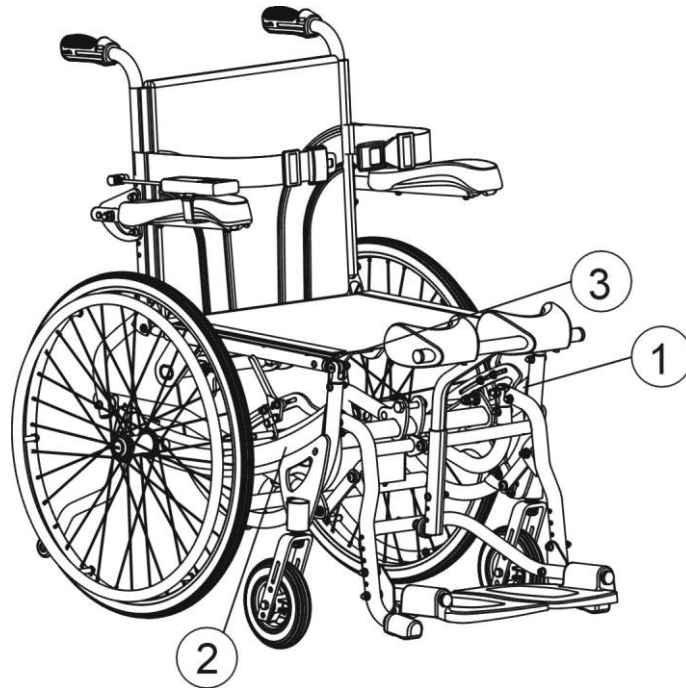
Figure 2.5



Figure 2.6

2.12 Labeling

Please carefully read all the labeling on the wheelchair before driving it. Do not remove them. Protect them for future reference.



1

EC	REP	KARMA MOBILITY, S. L. C/ PERIODISTA FRANCISCO CARANTOÑA DUBERT, 23 Bño 33209 GIJÓN - ASTURIAS (SPAIN)	
UK	REP	KARMA MOBILITY LTD. UNIT 6 TARGET PARK, SHAWBANK ROAD, REDDITCH, B96 8YN ENGLAND UNITED KINGDOM	
		KARMA MEDICAL PRODUCTS CO., LTD. NO. 2363, SEC. 2, UNIVERSITY RD., MIN-HSIUNG SHIANG, CHIA-YIHSIEN, TAIWAN R.O.C.	
WARNING! USE ONLY ON STABLE SURFACES MAXIMUM USER WEIGHT 120kg (265 lbs)			

2

karma SERIAL NO. M12-1234

3

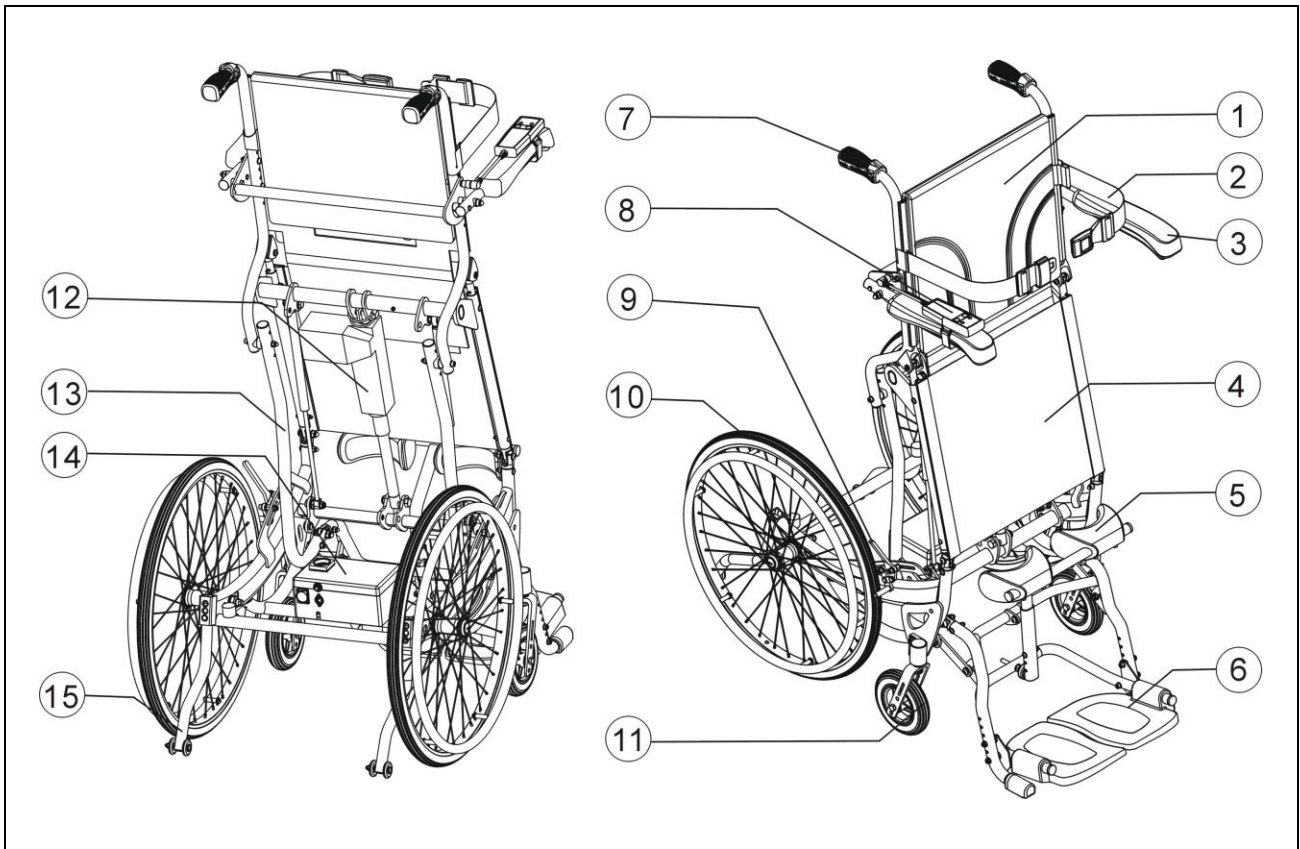
Model:	
Order No.:	
Delivery Date:	
Sewing No.: <input type="checkbox"/> 1 <input type="checkbox"/> 2 <input type="checkbox"/> 3 <input type="checkbox"/> 4 <input type="checkbox"/> 5 <input type="checkbox"/> 6	
Seat Width	Seat Depth
<input type="checkbox"/> 13	<input type="checkbox"/> 13
<input type="checkbox"/> 14	<input type="checkbox"/> 14
<input type="checkbox"/> 15	<input type="checkbox"/> 15
<input type="checkbox"/> 16	<input type="checkbox"/> 16
<input type="checkbox"/> 17 <input type="checkbox"/> 0	<input type="checkbox"/> 17 <input type="checkbox"/> 0
<input type="checkbox"/> 18 <input type="checkbox"/> 5	<input type="checkbox"/> 18 <input type="checkbox"/> 5
<input type="checkbox"/> 19	<input type="checkbox"/> 19
<input type="checkbox"/> 20	<input type="checkbox"/> 20
<input type="checkbox"/> 21	<input type="checkbox"/> 21
<input type="checkbox"/> 22	<input type="checkbox"/> _____
<input type="checkbox"/> _____	<input type="checkbox"/> _____
karma	Unit: inch

3. INTENDED USE & PARTS

3.1 Intended Use

- The SME series is a self-propelled or transit wheelchair. That is, it can either be propelled by an attendant(transit) or by the user(self-propelled).
- These wheelchairs are suitable for users up to 120kg in weight. Hand brakes are provided for both rear wheels and are connected to a dual attendant brake located on the left push handle.
- It has an extremely durable aluminum alloy frame with tough accessories and does not suffer in dramatic extremes of temperature (neither user nor attendant need touch metal parts in normal use).
- This chair is designed for both indoor and outdoor use.
- The castors(casters) have solid tyres(tires) for greater durability; pneumatic castors(casters) are available on request.
- When prescribing wheelchairs for use by full or partial amputees (above or below knee, single or double) or other conditions that affects the users natural center of gravity, we suggest contacting your therapist or dealer as well as attaching anti-tippers.
- The stand-up function operates exclusively on a flat surface, away from any stairs, access ramp or slope.

3.2 Parts Description



- 1. Backrest Upholstery
- 2. Chest Strap
- 3. Armrest
- 4. Seat Upholstery
- 5. Knee Support
- 6. Footplate
- 7. Push Handle
- 8. Controller

- 9. Brake
- 10. Rear Wheel
- 11. Castor (caster)
- 12. Stand-up Actuator
- 13. Stand-up Strut
- 14. Battery Tray
- 15. Anti-tippers

4. OPERATION

4.1 Preparing For Use

4.1.1 Open the box by the top and remove the chair and its components. (See Figure 4.1 and 4.2)

4.1.2 Assembling the rear wheel

- Press the button and pull out the axle from the frame (see Fig4.3), and then put the axle into the hub.
- First ensure that the brake is in the off position. Take up the assembled wheel and axle and press the button in the center of the axle, as Fig.4.4. This retracts the locking balls that allow you to push the axle into the wheel bracket that is located on the lower rear frame of the wheelchair. When you remove your thumb from the button on the axle, the locking balls should be visible protruding from the axle at the back of the wheel bracket. This will secure the wheel safely in the frame.



Figure 4.1



Figure 4.2



Figure 4.3



Figure 4.4

4.1.3 Assembling the backrest

- Straighten up the backrest until the fitting holes of the backrest tube match with the pre-assembled screws on the lower seat tube.(see Fig 4.5,4.6)
- Reassemble the screw as shown in Fig 4.7

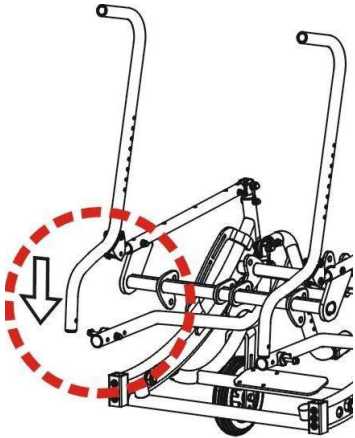


Figure 4.5

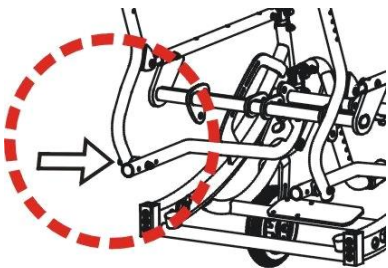


Figure 4.6

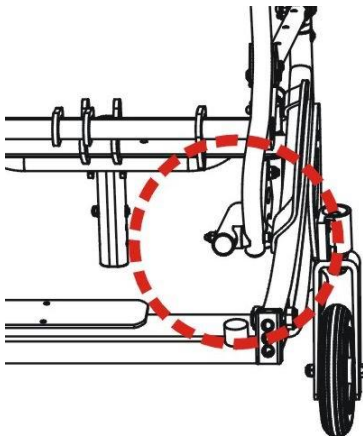


Figure 4.7

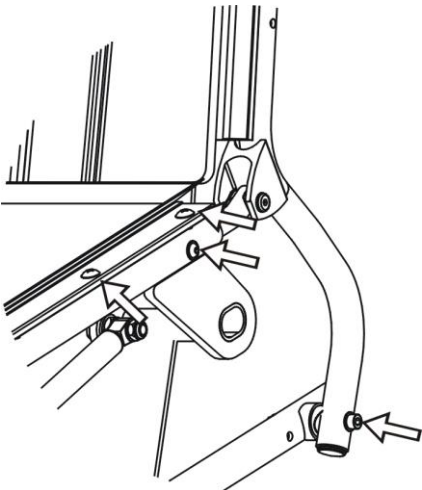


Figure 4.8

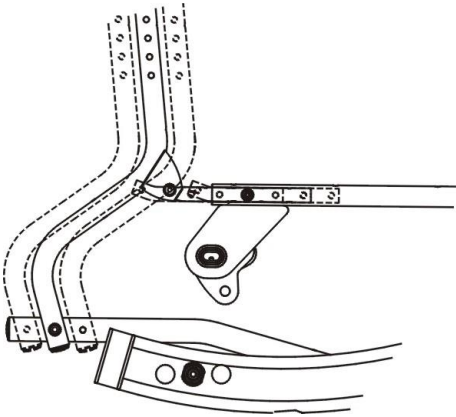


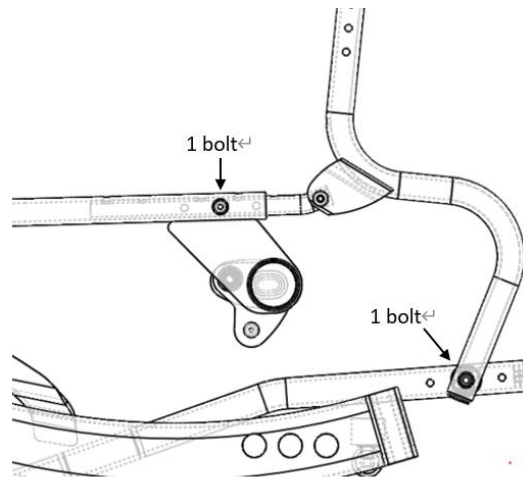
Figure 4.9

4.2 Adjustments

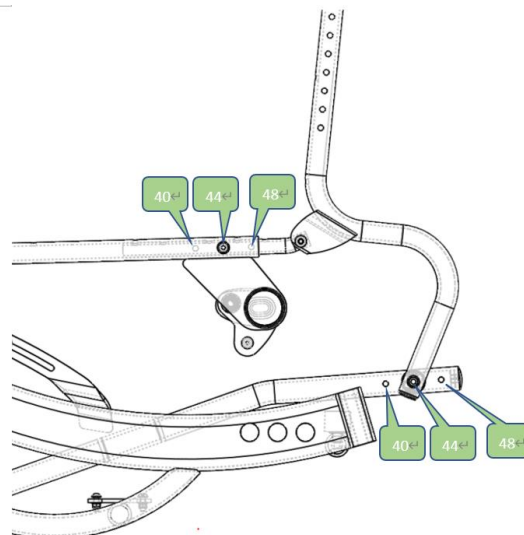
4.2.1 Seat Depth

To determine the optimum seat depth, specific attention to the user's upper leg length, lower extremity range of motion measures, posture, and flexibility is necessary.

Adjusting the seat depth: loosen and remove the bolts from the seat frame on each side (one bolt from the upper part, and one bolt from the lower part), as shown in the figure below.



There are 3 levels of seat depth adjustment: 40cm, 44cm & 48cm. The figure below shows the seat depth set-up positions and can be referenced for making adjustments.



Put the bolts back and tighten them.

 **CAUTION:**

- Only authorized personnel are allowed to make adjustments.
- Be sure to adjust equally on the left and right sides to prevent the seat frame from getting stuck.
- After seat depth adjustment is completed, confirm the following information:
 - *The bolts are properly tightened as per the instructions.
 - *The rear wheel axle is maintained in a proper position and does not affect the stability of the wheelchair. If not, please readjust the rear wheel axle position.

 **SUGGESTION:**

- The choice of seat depth influences maneuverability and access to motor vehicles.
- Make sure the back of your knees do not touch the seat bottom, as this is bad for your knees and circulation.

4.2.2 Footrest

A. Height Adjustment (4 different positions)

Remove the screws from the front tube of frame, put the footrest on the desired height that according to the length of the end-user and put back the screws (see Fig. 4.10). Tighten securely.

B. Swing Outward

In order to transfer in or out easy, the separate footrest can be lift up separately. (See Fig.4.11)



Figure 4.10



Figure 4.11



Figure 4.12



Figure 4.13

 **CAUTION:**

- When adjust foot lengths, be sure user's thigh is safety on the seat upholstery smoothly. And inner knee doesn't hit the front edge of seat upholstery. (See the Figure 4-12& 4-13)
- Adjusting the footrest at the right height means a better pressure relief along the thigh in a seated position.

4.2.3 Armrest

- A. Height adjustments (5 different height possibilities) : Remove the screws from the armrest fitting tube, adjust to the desired height and put back the screws. Tighten securely. (See Figure 4.14)
- B. Swing backwards : To make side transfers easy, the chair is equipped with swing away armrests. Lift and swing backwards to remove. (See Figure 4.15)



Figure 4.14



Figure 4.15

4.2.4 Knee Support

Before standing, it is important to adjust the knee support in depth and height and to adjust the u-formed knee-supports in the angle and width.

Adjustment in the depth :

Screw or unscrew the adjusting bolt until you have reached the desired depth. Keep 3 to 4cm between the knee of the end-user and the knee-support. (See Fig. 4.16)

- A. Adjustment in height (3 different heights possible) : To adjust, remove bolt, slide knee support to desired height and put the bolt back. Tighten securely. The upper edge of the knee support has to be below the patella. (See Fig. 4.17)
- B. Angle adjustment : Loosen the fitting screws from the knee-supports and proceed with angle adjustment according to the morphology of the user. (See Fig. 4.18) Once adjusted, tighten up the screws securely.
- C. Adjustment in the width : Loosen up the fitting screws from the knee-supports and proceed with width adjustment right and left within the tube limits. (See Figure 4.19) Once adjusted, tighten up the screws securely.



CAUTION:

These adjustments will have to be optimized after a progressive standing session. This will enable to avoid exaggerated pressure on the knees and to guarantee a good alignment of the limbs.

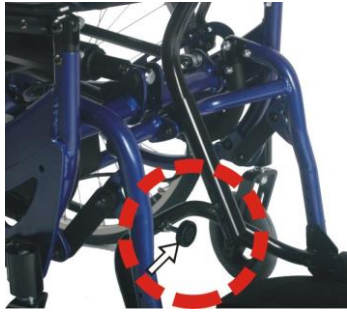


Figure 4.16

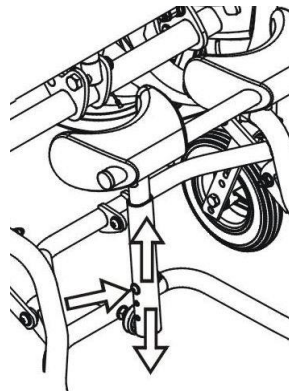


Figure 4.17



Figure 4.18

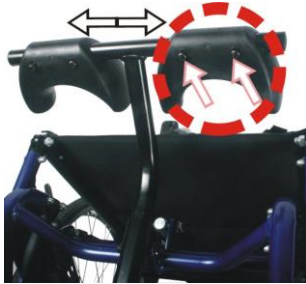


Figure 4.19



Figure 4.20

4.2.5 Back Upholstery

When upholstery is loose, you can tighten which by pulling and re-attaching the Velcro. (See Figure 4.20)

4.2.6 Chest strap height

The chest strap can be fitted at two different height between the upholstery fastening strip and backrest tube.

To adjust height, remove the screw, put the chest strap to the desired height and put the screw back. Tighten securely (see Fig.4.21)

Secure the trunk with chest strap and safety buckle. The chest strap is adjustable according to the morphology of the end user. (See Fig.4.22)



Figure 4.21



Figure 4.22



Figure 4.23



WARNING:

1. Make sure that the chest strap does not get caught in the spokes when it release.
2. This chest strap is not to be used as a safety belt in a vehicle.
3. The chest strap should be fitted below the armpit and should not loop the arm over trunk in order to avoid the hazard causing by the trunk slipping down. (See Figure 4.23.)

4.3 Stand-up Unit

4.3.1 Wiring Diagram

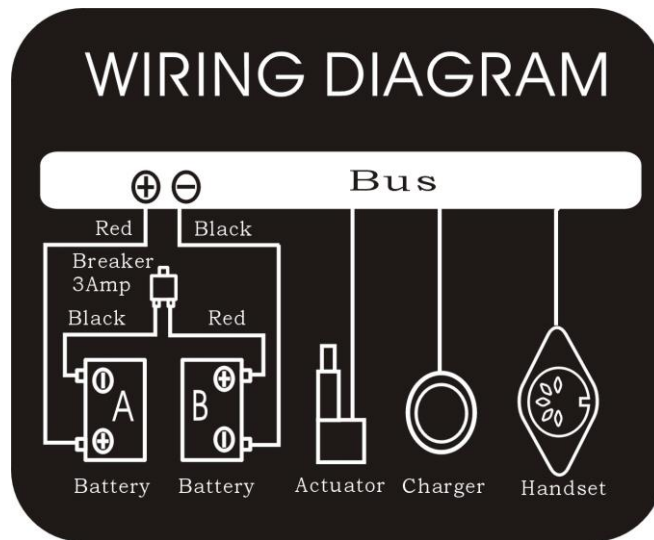


Figure 4.23

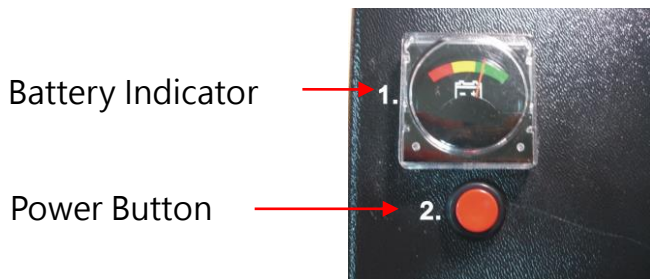
4.3.2 Stand-up Function



1. Press the power button on. (red button on the battery cover)
2. ↑ Push the up-button to access to the standing position.
3. ↓ Push the down-button to access to the seating position.



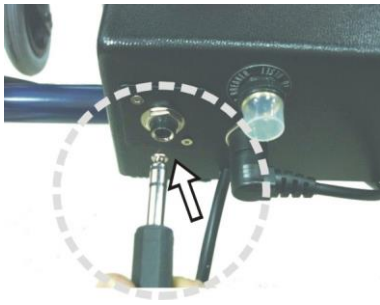
1. Charger socket
2. Breaker
3. Controller joint



Battery Indicator → 1.

Power Button → 2.

These two batteries (2x2.9 Ah) have autonomy of 120 stand-up cycles (seat/stand/seat). Should the battery level indicate to red area, indicating that the batteries need charging. From there on, the autonomy is down to 10 cycles. We recommend to the end user to come back to seating and recharge the batteries before using this function again.



To charge the batteries, press the power button on, insert the charger plug into the socket and charger into a 110/220 Volts plug socket. The light signal on the charger shows an orange light while on charge. Once the batteries are full, the charger will indicate a green light. Remove the charger from the plug socket first and then from the charger socket. To fully charge the batteries takes 4 to 5 hours.



CAUTION:

1. Be sure during charging, charger plug must be inserted into the socket before connecting with a 110/220 Volts plug socket. If the process is reversed, it may cause the contact spark.
2. The stand-up function exclusively on a flat surface, away from any stairs, access ramp or slope.
3. Before operation the stand-up function, please ensure the chest strap and knee support have fit securely and the wheelchair has been locked.
4. Do not use the stand-up function while charging.
5. If you do not use the stand-up function, please turn off the power by pressing the power button and then the battery level will indicate to the red end.

4.3.3 Instructions of Emergency Descend Switch

Please refer to the figure below. One yellow Emergency Switch is equipped under the left (or the right) armrest. In the case of a controller failure causing the seat cannot be lowered to the seating position, press this Emergency Descend Switch to activate the actuator to lower the seat. It prevents the user from standing for a long period of time should the controller is faulty.



Emergency
Descend Switch



4.4 Transporting and Storing



SUGGESTION:

Please store the wheelchair in a location where it is out of direct sunlight, rain and dew. For more details, consult your KARMA dealer.



Caution:

Don't put anything on the wheelchair while it is in storage. Storing goods on a folded wheelchair will cause damage and is not covered under warranty. (See Right Figure)



WARNING:

As of this date, SME can NOT be used as seats in any vehicles. That is, KARMA recommends that users are NOT transported in any vehicle while seated in the wheelchair. In the case of accident or a sudden stop, the user or passengers may be at risk of getting injury. The suggested solution is to transfer the user from the wheelchair into a vehicle seat and to securely stow the wheelchair in a separate compartment.

4.5 Transferring In and Out

4.5.1 Transferring In

Engage both hand brakes.

Turn the footplates up and swing them to the side.

The user lowers himself/herself into the seat using the armrests for support.

Turn the footplates back down, so that the user can place his feet on them.

Release both hand brakes.



Caution:

Always ensure that the front castors(casters) are in line with the rear wheels and pointing forwards and that the back of the chair is secure either against a wall or firmly held by an attendant.

4.5.2 Transferring Out

Make sure that the chair is near your final destination.

Back the chair sufficiently to ensure that the castors(casters) are pointing forward, i.e. in line with the rear wheels and usually with the castor(caster) forks pointing forward. Ensure that, where possible, the rear of the chair is against a wall or, if not, it must be firmly held by an attendant.

Engage both hand brakes.

Turn the footplates up and swing them to the side.

Slide forwards on the seat.

Place one foot firmly on the ground with the knee at a right angle and the other foot slightly apart and further back.

Place your hands on the front of the armrests and moving your weight forward, bring your head and shoulders up over your knees as you push yourself up.



CAUTION:

Never stand on the footplates when getting into (or out of) the chair. (See Figure 4.24)

When getting in and out of the wheelchair please use the hand brakes. The hand brake is the lever at the side of the wheelchair.

Please ensure that neither the tread on your tyres(tires) nor the brake block has become too worn. If pneumatic tyres(tires) are fitted, please maintain at the recommended tyre(tire) pressure for the same reason.

Please ensure that occupant's fingers do not get caught in the brake.

When transferring in and out of the chair, make sure that the brakes are applied to prevent the chair from sliding away. Also see that the footplates are flipped up for ease of entering or exiting. (See Figure 4.25)

4.6 General Use

4.6.1 Attendant Pushing and Self-propelled

Do ensure that the brakes are always locked when the chair is not being pushed. (See Figure 4.26)

Always make sure that both feet are safely on the footplates and that clothing is safely tucked out of the way and cannot get caught in the wheels. (See Figure 4.27)

Always use both hands on the push handles to control the chair. (See Figure 4.28)

Always avoid steep or uneven surfaces because the chair may tip over. (See Figure 4.29)

Always avoid soft surfaces because the castors(casters) may get bogged down.

(See Figure 4.30)

Always be careful not to go too fast or turn too quickly and try to achieve a smooth steady ride.

Before crossing the tracks, please stop completely and look both ways.

Cross the tracks perpendicular to avoid your wheels getting stuck.

Do not drive at full speed over railroad tracks.

Be careful going through a doorway that your hands and arms do not get injured.

PLEASE keep in contact with the person in the chair. If you stop to look in shop windows or talk to people, remember to turn the chair so that the person in the chair does not have to turn.


 **WARNING:**
NEVER lock the brakes too suddenly as this may tip the user out of the chair.



Figure 4.24



Figure 4.25



Figure 4.26



Figure 4.27



Figure 4.28



Figure 4.29



Figure 4.30



Figure 4.31

4.6.2 Tilting by the Attendant

Make sure both the user's feet are on the footplates and will not slip off. Make sure the handgrips are secure and cannot slip off.

Release both brakes.

Grasp both push handles firmly.

Put your stronger foot on the relevant tipping lever at the back of the chair.

Tell the person in the chair that you are about to tilt the chair backwards.

Pull back with both hands and push down and forwards with the foot. This will bring the chair onto the back wheels. (See Figure 4.31)



CAUTION:

When a chair is tilted to about 25 degrees it will balance on its rear wheels and be easy to hold. If it is tilted further back it will be difficult to hold and the person in the chair will feel unsafe.

Lower with a straight back; keep your foot on the anti-tipper and lower the chair slowly forwards softly to the ground.

4.6.3 Tilting by the User

Make sure your feet are on the footplates and will not slip off.

Release both brakes.

Grasp both push rims and give a firm, sudden forward push immediately before the obstacle, continue the momentum (be ready to keep pushing) until the obstacle is mounted.



CAUTION:

This method should only be attempted by people experienced in wheelchair use. Strong arms are also necessary. It is always better to have the help of an attendant.

Leaning backwards causes the castors (casters) to rise higher BUT it is much safer to lean forwards and stay balanced.

4.6.4 Going Down Kerbs (Curbs)

Please note: It is always better to avoid kerbs (curbs) where possible by using ramped kerbs (curbs) or slopes and this operation is best attempted with the aid of an attendant.

4.6.4.1 Going Down Kerbs (Curbs) Forwards with and Attendant



CAUTION:

This is the more difficult method and can jar the user but allows a better view of traffic.

Be careful that the anti-tipper does not get caught on the kerb(curb) causing the user to fall.

NEVER ALLOW THE CHAIR TO TIP FORWARDS WHEN GOING DOWN A KERB(CURB).

Position the chair so that the front castors(casters) are near the edge of the kerb(curb) and make sure that the road is clear.

Move the chair slowly and carefully forwards while tilting it back slightly. Be ready to take the weight when the rear wheels cross the kerb(curb) edge. Ensure that both rear wheels touch the ground at the same time to avoid tipping the chair.

Gently lower the front castors(casters). AVOID JARRING THE USER.

4.6.4.2 Going Down Kerbs(Curbs) Backwards with an Attendant



CAUTION:

This is the easier and smoother method BUT it requires the attendant to step backwards into the road.

Back the chair to the kerb(curb) edge and be careful that the back wheels are equally near the edge.

Grasping the push handles, gently lower the rear wheels onto the road. Be prepared to control the weight as it descends and ensure that the back wheels touch ground at the same time.

Tilt the chair back slightly and pull the tilted chair far enough into the road so that the castors(casters) and footrests can be lowered clear of the kerb(curb).

4.6.5 Going Up Kerb(Curbs)

Please note: This operation is best attempted with the aid of an attendant and the best method is to go up kerb(curbs) forwards as this maintains the direction of travel and is physically less demanding for the attendant.

4.6.5.1 Going Up Kerb(Curbs) Forwards with an Attendant

As the footrests nearly touch the kerb(curb) tilt the chair. The chair should be tilted just high enough to allow the front castors(casters) to roll smoothly onto the pavement.

Push the chair forward until the rear wheels are touching the kerb(curb). Then, continuing the movement, lift at the push handles while moving the chair forwards.

4.6.5.2 Going Up Kerbs(Curbs) Backwards with an Attendant

Please note: for safety's sake we do not recommend using this method.

4.6.6 Up and Down Steps/Stairs

Please note: avoid flights of steps particularly if no extra help is available. Use ramps or lifts wherever possible.

Two attendants are necessary, each capable of carrying at least half of the combined weight of the person and the wheelchair.

Each helper should bend at the knees and grip the main frame: with the front attendants hands just under the front of the seat, with the back attendants' hands holding the frame just under the push handles.



CAUTION:

Don't attempt to lift the wheelchair by any removable (detachable) parts. Lifting by means of any removable (detachable) parts of wheelchair may result in injury to the user and/or assistant or damage to the wheelchair.

ALL LIFTING SHOULD BE DONE WITH A STRAIGHT BACK.

Straighten legs to lift the chair. Carefully carry it up or down steps; be aware of how you place your feet -- do not cross them and trip yourself up.

5. INSPECTION AND MAINTENANCE

5.1 Daily Check

Check the following items before traveling. If you find anything abnormal, visit your KARMA wheelchair dealer for further inspection before using it.

Examine brakes, checking for wear, damage and misalignment. Replacing or adjusting the brakes should be carried out by your approved repairer.

Check that the hand grips are not damaged and are securely bonded to the push handles.

Check anti-tippers are not damaged and are securely attached.

Check that the anti-tippers' wheels and frame are not damaged and are securely mounted.

Check that the headrest screws are tightened.

Before using the wheelchair, make sure all nuts and bolts are tight. Check all parts for damage or wear and have a qualified technician replace it if necessary. Check all parts for proper adjustment.

Inspect brakes for proper operation.

The wheels and tyres(tires) should be checked periodically for cracks and wear, and should be replaced by a qualified technician.

A qualified technician can be found with an authorized distributor/dealer.



CAUTION:

Visit a KARMA wheelchair dealer for inspection and maintenance if you find anything abnormal.

5.2 Regular Maintenance Record

In order to ensure that your wheelchair is in good condition, please contact KARMA authorized dealers regularly and make further wheelchair inspection and maintenance records. We recommend that you inspect and maintain your wheelchair **every six months**.

A maintenance/service fee may apply.



SUGGESTION:

Even if you don't use the vehicle for a long time, the wheelchair should still be maintained regularly. You should clean your wheelchair regularly to keep it beautiful and safe.

Item	Weekly	Monthly
GENERAL		
● Wheelchair rolls straight (no excessive drag or pull to one side)		✓
FRAME AND CROSS BARS		
● Inspect frame structure for small cracks/fissures		✓
● Inspect for bent frame or cross bars		✓
BRAKES		
● Do not interfere with tyres(tires) when rolling		✓
● Pivot points free of wear and looseness		✓
● Easy to engage	✓	
● Prevent chair from moving when engaged	✓	
HEADREST, SEAT & BACKREST		
● Inspect for rips or sagging	✓	
● Inspect for loose or broken hardware		✓
CASTORS(CASTERS)		
● Inspect the castors(casters) for smooth rotation of the castor(caster) wheel and castor(caster) assembly		✓
● Inspect the castor(caster) for wear in the bearings/mountings and for tyre(tire) wear or damage		✓
REAR WHEELS		
● Quick-release axles lock properly; lubricate if necessary	✓	
● No excessive side movement or binding when lifted and spun		✓
● Inspect for cracked, bent or broken spokes	✓	
ARMRESTS		
● Inspect the detachable armrest button for effective locking		✓
● Make sure the armrest detaches and flips back properly		✓
FOOTRESTS		
● Inspect the footplate height adjustment screws are securely tightened		✓
● Inspect the swing-away footrest release lever for effective locking		✓
TYRES(TIRES)		
● Inspect for flat spots, cracks and wear	✓	
● If pneumatic tyres(tires), check for proper inflation	✓	
● Check tyre(tire) tread depth is more than 1mm		✓
● Check tyre(tire) pressure; tyre(tire) pressures are located on the side of the tyre(tire)	✓	



CAUTION:

If you find anything abnormal, stop using the wheelchair immediately and visit a KARMA wheelchair dealer for inspection and maintenance.

As with any wheelchair, the wheels and tyres(tires) should be checked periodically for cracks and wear, and should be replaced. Failure to keep tyres(tires) at the correct pressure will reduce the braking efficiency.



CAUTION:

Never disassemble or modify the wheelchair frame structure. Otherwise, injury or damage may occur. This will negate the warranty.

6. OPTIONS AND ACCESSORIES



- Backrest Bag
- Standard size.



- H-shaped Safety Belt



CAUTION:

Attaching accessories may alter the overall stability and center-of-gravity of the chair. Thus, this should be performed by your approved repairer and therapist.

7. TROUBLESHOOTING

Trouble or Problems with Your Wheelchair

You can inspect the following before taking your wheelchair to a KARMA wheelchair dealer.

Problem	Checking Points and Corrective Action
Chair Veers Right/Left	<ul style="list-style-type: none">• Check tyres(tires) for correct and equal pressure• Check castor(caster) bracket angle• Check that rear wheels are equally spaced from the seat frame
2. Sluggish Turn or Performance	<ul style="list-style-type: none">• Check tyres(tires) for correct and equal pressure• Check for loose nuts and bolts
3.Castor(Caster) Flutter/Wobble	<ul style="list-style-type: none">• Check tyres(tires) for correct and equal pressure• Check for loose nuts and bolts• Check castor(caster) bracket angle
4. Squeaks and Rattles	<ul style="list-style-type: none">• Check for loose nuts and bolts
5. Looseness in Chair	<ul style="list-style-type: none">• Check for loose nuts and bolts
6.Wheelchair does not stand-up	<ul style="list-style-type: none">• Is the battery level indicate to red area? Charge the batteries.• Is the charger plugged into the wheelchair? Un plug the charger and put it away.

If you cannot solve the problem by yourself, contact your KARMA wheelchair dealer for help.

8. SPECIFICATIONS

Product Model	SME		
Nominal seat width (mm)*	400	440	480
Nominal seat depth (mm)**	400	440	480
Front caster / Rear wheel size (in)	6 / 24	6 / 24	6 / 24
Backrest height (mm)	415	415	415
Headrest height above seat (mm)	N/A	N/A	N/A
Armrest to seat distance (mm)	170 ~ 210	170 ~ 210	170 ~ 210
Front location of armrest structure (mm)	0 ~ 310	0 ~ 310	0 ~ 310
Seat surface height at front edge (mm)	490	490	490
Footrest to seat distance (mm)	350 ~ 410	350 ~ 410	350 ~ 410
Effective seat width (mm)	400	440	480
Effective seat depth (mm)	455	485	515
Seat plane angle (X°)	1	1	1
Backrest angle (X°)	10	10	10
Seat to backrest angle (X°)	99	99	99
Leg to seat angle (X°)	92	92	92
Overall length with legrest (mm)	1005 ~ 1060	1005 ~ 1060	1005 ~ 1060
Overall width (mm)	590	630	670
Overall height (mm)	950	950	950
Folded length (mm)	1015	1015	1015
Folded width (mm)	535	580	625
Folded height (mm)	600	600	600
Total mass (kg)	27.4	29.8	32.0
Mass of the heaviest part (kg)	18.8	21.0	23.2
Maximum user weight (kg)	120	120	120
Minimum turning radius (mm)	790	790	790
Minimum turning radius without user (mm)	750	750	750
Pivot width (mm)	1130	1130	1130
Static stability downhill (X°)	8	8	8
Static stability uphill (X°)	10.1 (with anti-tippers)	10.1 (with anti-tippers)	10.1 (with anti-tippers)
Static stability sideways (X°)	18	18	18
Handrim diameter (mm)	525	525	525
Horizontal location of axle (mm)	40 ~ 100	40 ~ 100	40 ~ 100
Battery capacity (Ah)	2.9*2	2.9*2	2.9*2
Charger output current (A)	1	1	1
* Nominal seat width is measured the width of seat cushion at 120mm in front of the			

backrest. This value is mainly used in the product ordering process.

** **Nominal seat depth** is measured from the front end of the seat cushion to the back cushion. This value is mainly used in the product ordering process.

- The actual product specifications differ from the data in the table by ± 1 cm ± 0.5 kg.

- The actual product specifications may vary according to different configurations.

- KARMA reserves the right to modify information herein without further notice.

- Please scan the **QR code** to watch more instructions of the measurement methods on the KARMA website.



9. CLEANING & RECYCLING

9.1 CLEANING

In order to lengthen the life of your wheelchair, it is suggested that you clean the wheelchair periodically (if not daily), especially after it is used in the rain or snow. We suggest that you don't use your wheelchair in the rain or snow. If you are traveling and get caught in the rain, we suggest you try to find shelter while waiting it out. If you can't find shelter, proceed to your destination.

9.1.1 Frame

Wipe with a damp cloth.

9.1.2 Upholstery

When cleaning the upholstery, use warm water and a mild soap.

Upholstery cleaner/foam can also be used, but avoid other cleaning solvents.

9.2 POST-CONSUMER RECYCLING

A post-consumer recycling plan should follow the Environmental Protection Administration's regulations. The items listed below are for reference only as local laws and regulations may vary.

Material	Part Name	Method
Aluminum-alloy	Frame	Recyclable
Plastic	Modular Components	Recyclable
Paper	Owner's Owner' s(Manual)	Recyclable

There are many organizations in many countries you can find on the Internet that will accept used goods for charity. Please search the information highway to help less fortunate individuals and protect our planet for future generations. If you do not have access to the world wide web please use your local phone directory, ask for operator assistance or go to your local government center for more information. Earth Day is every day.

Check with your local recycling center on where and how to recycle your wheelchair as this information varies from region to region.

10. WARRANTY

10.1 Serial Number

To ensure after-sale service and warranty, please record and fill in the serial number which can be found on the frame.

This warranty is VOID if the original chair serial number is removed or altered.

Model	SME
Serial Number	

10.2 Warranty Policy

10.2.1 Contents and Duration of Warranty

- If the parts of the product need to be repaired or replaced due to manufacturing defects, they can be repaired or replaced free of charge within the warranty period (a repair of this kind will hereafter be called warranty maintenance).
- Frame and cross-braces are warranted for a period of 5 years and gas strut for a period of 1 year after delivery to the customer, then the affected parts will be repaired or replaced free of charge.
- Consumable parts such as brakes, bearings, footplates, pads, side guards, upholsteries, wheels and similar parts are excluded from the warranty.
- Warranty maintenance can be performed by authorized KARMA wheelchair dealers only.
- KARMA is not responsible for the transportation costs for repair and replacement.
- Warranty maintenance is the repair or replacement according to the condition of the parts, and replaced parts will be the property of KARMA.
- KARMA reserves the right to modify product specifications without further notice; KARMA is not responsible for any changes to product specifications.

10.2.2 The Claims from This Warranty Shall Not Arise for the Following Reasons

- The product or part has been damaged by accident, improper use, incorrect assembly or poor maintenance. The evaluation of it is the privilege of KARMA.
- Damage resulting from normal wear and tear.
- Any overloading of the product, please check the label for maximum user weight.
- The product or part has not been maintained or serviced in accordance with the manufacturer's recommendations as shown in the User Manuals and/or the Service Manuals.
- Use or install parts or accessories which are not manufactured or not

approved by KARMA.

- Damage resulting from use in unsuitable environments.
- Damage resulting from any addition, modification, or alteration of the product or parts without the approval by KARMA.
- Damage resulting from external factors, such as chemicals, oil, debris, etc.
- Damage caused by natural disasters.

10.2.3 KARMA is Not Responsible for The Following Costs

- Replacement or refill of consumable parts, oil or lubricant.
- Product inspection, adjustment, lubrication, cleaning, etc.
- The costs of regular inspection and maintenance of product.
- The product is not repaired by the authorized dealer designated by KARMA.

10.2.4 Responsibilities

10.2.4.1 The Responsibilities of the User

- Fully adhere to operation guidelines set forth in this manual.
- Perform self-inspection and basic maintenance.
- Keep a record of self-inspections and basic maintenance.
- Not permit any alteration, addition, or modification or use of parts not manufactured by KARMA.
- Thoroughly read and understand this manual.

10.2.4.2 The Responsibilities of the Dealer

- Follow this manual and educate users about product operation and basic maintenance.
- Verify and check whether the warranty conditions are met.
- Provide relevant warranty information and recommendations for improvements.

10.2.5 Transfer of Warranty Rights

If you purchase a second-hand KARMA wheelchair while it is still within the warranty period, bring this user manual and the wheelchair to the authorized dealer and perform necessary product inspection, maintenance and warranty inheritance procedure.

Full name:	
Gender:	
Date of Birth:	
Address:	
Model:	
Serial Number:	
Date of Purchase:	

Dealer' s Data

Name of store:	
Telephone and Address:	

If you have any suggestions on how to improve our products, please don't hesitate contacting us know what you think of your wheelchair. Thank you and enjoy.

karma

A Better Wheelchair, A Better Fit



KARMA MOBILITY S.L European Support Center.
www.karmamobility.es
+34 984 390 907
karma@karmamobility.es

KARMA MOBILITY LTD. UK representative
www.karmamobility.co.uk
+44 845 630 3436
info@karmamobility.co.uk

KARMA MEDICAL PRODUCTS CO., LTD.
www.KarmaMedical.com
+886 5 206 6688
globalsales@karmam.com.tw