

User manual
Flexx Series

(KM-8022 · KM-8522 · KM-8022S · KM-8522S)



GENERAL WARNING

- DO maintain your chair well, in particular check the tire pressure since this affects the efficiency of the brakes. To know the correct tire pressure, please see the walls of the tires.
- DO make sure both brakes are applied before getting in or out of the chair.
- DO make sure both brakes are applied when the chair is not being pushed or used.
- DO take care when climbing kerbs or turning on slopes.
- DO avoid steep or uneven surfaces that may cause the chair to tip over.
- DO avoid soft surfaces because the castors may become bogged down.
- DO travel smoothly in all conditions.
- DO look well ahead to anticipate hazards such as furniture, doors, potholes, etc.
- DO make sure that both feet are safely on the footrests and that clothing is safely tucked out of the way so that it cannot get caught in the wheels.
- DO take care when traveling up or down or across inclines.
- DO keep both hands on the push handles to control the chair, if you are the attendant.
- DO pay attention to keep the wheelchair balanced.
- DO check the frame and components regularly and refer to this user guide during and after the warranty period.
- DO tie-up the upholstery or replace which with a new one when it becomes loose.
- DO lubricate bearings regularly.
- DO equip with anti-tippers to avoid falling backwards.
- DO equip with a seat belt designed for disabled people.
- DO equip with "ankle supports" for disabled people.
- DO clean both hands after oiling the wheelchair.
- DO keep far away from flame.
- DO tighten the screws of headrest tubes (if applied).
- DO NOT overload the chair in any circumstance.
- DO NOT hang anything heavy on the back of the chair that could cause the

chair to become unstable, particularly when negotiating inclines.

- DO NOT allow more than one user at a time.
- DO NOT use with an unconscious patient.
- DO NOT use other transport to pull the wheelchair.
- DO NOT do "wheelies", as you may fall or tip over backwards and suffer a severe injury.
- DO NOT sit in a wheelchair within a moving vehicle unless it has affixed the labels of hook mark.
- DO NOT go too fast or turn too quickly.
- DO NOT stand on the footplates when getting in or out of the chair.
- DO NOT go down steps forward, whether solo or with an attendant.
- DO NOT attempt to lift the wheelchair by any removable (detachable) parts. Lifting by means of any removable (detachable) parts of the wheelchair may result in injury to the user and/or assistant or damage to the wheelchair.
- DO NOT use the wheelchair when the back is folded. This alters the centre of gravity and may cause the wheelchair to tip backwards. The back should only be folded for storage or transport of the wheelchair.
- DO NOT hang anything on the back joint that could cause the backrest folding suddenly and may cause injury.

YOU AND YOUR KARMA SERVICE PROVIDER

- No tools are required for assembly. Your wheelchair should be assembled by your authorized KARMA dealer. Your authorized KARMA dealer is also your service provider. Unauthorized repairs, upgrades and add-ons will void your warranty. Anything wheelchair related that requires tools should be done by your authorized KARMA service provider. Your KARMA service provider has the necessary service/maintenance manual for your wheelchair.
- If you have any defective parts or lose any parts, please contact your dealer for repair and/or replacement. Please only use parts authorized by KARMA. Use of parts that are not authorized by KARMA will void your warranty.
- Part numbers are listed on our bill of materials (explosion drawings), which we give to our authorized dealers and service providers. Customers should

order parts through their dealer as well as all repairs and scheduled maintenance.

- Customers should go to their dealer for all service needs to guarantee their warranty is not void. Always go to an authorized service provider. Unauthorized repairs will void your warranty. Procedures other than those described in this manual must be performed by a qualified technician. They also have the service manual with a complete list of maintenance required to keep your KARMA wheelchair in top performance. Please check the warranty section of this manual to find out what KARMA guarantees and what maintenance and parts that are not covered by our warranty.
- KARMA does not have an official list of service providers at this time. Please contact your dealer for service. If you cannot contact your dealer, please contact another authorized KARMA dealer for service. If all else fails, contact KARMA directly via our website or give us a call and we can refer you to your new service provider.

CE MARKING

- This wheelchair complies with the requirements of the Medical Devices Regulation (EU) 2017/745.



CAUTION:

- When prescribing wheelchairs for use by full or partial amputees (above or below knee, single or double) or other conditions that affects the user's natural center of gravity and might cause the wheelchair to tip or the person on the wheelchair to fall off, we suggest contacting your therapist or dealer as well as attaching anti-tippers, pelvic belt, or other additional safety accessories.
- Anti-tippers **MUST** be equipped when the backrest angle is set as greater than or equal to four degrees.

TABLE OF CONTENTS

1. PREFACE.....	1
2. SAFETY.....	2
2.1 BEFORE USING.....	2
2.2 WHILE MOVING.....	2
2.3 GENERAL.....	4
2.4 UPHOLSTERY.....	4
2.5 ANTI-TIPPERS.....	5
2.6 MAXIMUM USER WEIGHT LIMIT.....	5
2.7 AVOID GENERAL MISUSE.....	5
2.8 LABELING.....	6
3. INTENDED USE & PARTS.....	7
3.1 INTENDED USE.....	7
3.2 FLEXX PARTS DESCRIPTION.....	8
4. OPERATION.....	10
4.1 PREPARING FOR USE.....	10
4.2 CASTER ANGLE REVIEW.....	12
4.3 GETTING INTO YOUR WHEELCHAIR.....	12
4.4 REAR WHEEL DISASSEMBLY.....	13
4.5 REAR WHEEL ASSEMBLY.....	13
4.6 BACKREST ANGLE ADJUSTMENT.....	14
4.7 SEAT DEPTH ADJUSTMENT.....	15
4.8 ARMREST ADJUSTMENT.....	16
4.9 FOOTPLATE HEIGHT ADJUSTMENT.....	17
4.10 FOOTREST.....	18
4.11 PELVIC BELT.....	18
4.12 MANUAL PARKING BRAKE.....	20
4.13 CASTER ANGLE ADJUSTMENT.....	21
4.14 HEIGHT-ADJUSTABLE PUSH HANDLE (OPTIONAL).....	22
4.15 ANTI-TIPPERS (OPTIONAL).....	22
4.16 TRANSFERRING IN.....	23
4.17 TRANSFERRING OUT.....	23
4.18 TILTING.....	25
4.19 GOING DOWN KERBS.....	25
4.20 GOING UP KERBS.....	26
4.21 GOING UP OR DOWN STEPS/STAIRS.....	27
4.22 GENERAL USE.....	27
4.23 STORAGE.....	28

4.24 TRANSPORTATION	29
4.25 FITTING SEAT BELT.....	31
5. INSPECTION AND MAINTENANCE.....	32
5.1 DAILY CHECK.....	32
5.2 REGULAR MAINTENANCE RECORD.....	32
5.3 ADJUSTMENT MANUAL.....	35
6. ACCESSORIES	42
7. TROUBLESHOOTING	43
8. SPECIFICATIONS	44
9. CLEANING & RECYCLING.....	50
9.1 CLEANING	50
9.2 RECYCLING.....	50
10. WARRANTY	51
10.1 SERIAL NUMBER.....	51
10.2 WARRANTY POLICY.....	51

1. PREFACE




1.1 Please read this owner's manual carefully before using the wheelchair.

Any improper use of the wheelchair may result in harm or injury.

1.2 This owner's manual includes operation, unfolding/ folding instructions and how to prevent possible accidents for the aspects of the wheelchair.

1.3 This owner's manual is written for KARMA wheelchair: Flexx Series.

1.4 The symbols used in this manual are explained below. Pay special attention to the parts marked with these symbols.

	WARNING:	Improper use could lead the user to severe injury or death.
	CAUTION:	Improper use could lead the user to severe injury and/or damage to your wheelchair.
	SUGGESTION:	Follow these instructions to keep the wheelchair in good condition.

1.5 This manual includes the repair and maintenance chart as well as the warranty.

1.6 If someone else uses the wheelchair, make sure that you give him or her this owner's manual for his or her reference.

1.7 As designs change, some illustrations and pictures in this manual may not correspond to the wheelchair that you purchased. We reserve the right to make design modifications without further notice.

2. SAFETY

2.1 Before Using

The user and attendant must be familiar with the operation of the wheelchair before using. Pedestrian traffic rules apply to the wheelchair. Please be safe.

2.2 While Moving

Please always keep these following safety guidelines in mind.

2.2.1 Doorways

The safest way to operate the wheelchair is on level floors that are free of obstacles. If possible, always use a ramp to enter or exit a facility. Keeping your hands on the push rims will allow you to maintain the maximum balance. DON'T try to force yourself over an obstacle and use the sides of a doorway to pull yourself through a passageway.

2.2.2 Leaning and Standing

DO NOT lean over the side or stand on the wheelchair since such an action may cause you to lose balance and fall. (See Figures 2.1 and 2.2)

2.2.3 Negotiating Inclines

2.2.3.1. Never turn on a hill due to the danger of tipping over.

2.2.3.2. When an attendant is pushing the wheelchair straight up a slope, if the user needs to go down midway on the slope, walk backwards until the user is on level ground. (See Figures 2.3 and 2.4)



Figure 2.1



Figure 2.2



Figure 2.3



Figure 2.4

2.2.3.3. Do not drive on 7 degrees of incline to avoid danger. When negotiating inclines, don't propel up to 5 degrees of inclines diagonally.

2.2.3.4. Avoid stopping on an incline, it can potentially cause you to lose control of the wheelchair.

2.2.3.5 Do not use the brakes to slow down or stop the wheelchair, this could cause it to stop suddenly and make the user lose control or fall out of the wheelchair.

2.2.3.6 Whenever possible, utilize help from an assistant/attendant while negotiating inclines.

 **CAUTION:**

- Although the product has met ISO 7176-1 requirements, we still recommend you not to drive on any slope (in any direction) greater than 7 degrees.
- If your daily activities require crossing slopes, we suggest you purchase and install anti-tippers to increase the stability of the wheelchair.

2.2.4 Kerbs

2.2.4.1. Whenever possible, get help from an assistant/attendant. If you have assistance, make sure that your chair is equipped with push handle.

2.2.4.2. DO avoid huge impacts when descending a kerb. A huge impact could probably damage the wheelchair.

2.2.4.3. Never try to scale or descend a kerb that exceeds a normal height.

2.2.4.4. Always be careful and never move up or down a kerb in reverse without an attendant.

 **WARNING:**

- Any improper use of the wheelchair could cause severe injury or death.
- For increasing your safety, please make sure that you have realized those guidelines as mentioned previously.
- ALWAYS follow The Use of Invalid Carriages on Highways Regulations outdoors and the guidelines written in this owner's manual.

2.2.5 Streets

2.2.5.1. Always cross streets with great caution.
Reflective tape on the wheelchair and/or your clothing will make you more visible to drivers.

2.2.5.2. Please comply with traffic safety code.

2.2.5.3. Avoid potholes and rough terrain that might cause the casters to get stuck. (See Figures 2.5)



Figure 2.5

2.2.6 Stairs

2.2.6.1. Always use two or more assistants. Tilt the wheelchair to its point of equilibrium. One assistant (at the back) holds the wheelchair up against the first step, gripping the handles firmly to lift. The second assistant, holding firmly a fixed part of the front frame, lifts the wheelchair above the stairs and holds it while the first attendant places one foot on the following step and repeat the operation. (See Figures 2.6~2.7)

2.2.6.2. Never go down steps forwards.

2.2.6.3. Never use an escalator for transport; use an elevator.



Figure 2.6

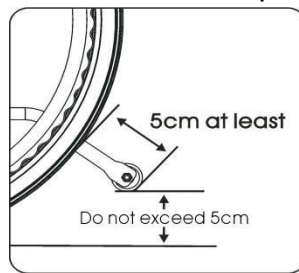


Figure 2.7

2.3 General

2.3.1 The expected service life of the product is **five years**, presuming that the product is used daily in accordance with the safety operation instructions, inspection and maintenance instructions, and intended use, which described in this manual.

2.3.2 Always make sure BOTH brakes are applied before getting in or out of the wheelchair.

2.3.3 Never stand on the footplates when getting in or out of the wheelchair

2.3.4 Never carry more than one passenger. KARMA wheelchairs are limited to one user.

2.3.5 Use caution to assure your clothing doesn't get tangled with the wheels.

2.4 Upholstery

2.4.1 When cleaning the upholstery, use warm water and a mild soap.

2.4.2 Upholstery cleaner/foam can also be used, but avoid other cleaning solvents.

2.4.3 Do stay far away from any flame because it might injure the user and

damage the wheelchair

2.5 Anti-Tippers

Please strongly consider purchasing anti-tippers and always use them to avoid personal injury. The distance between the end of each anti-tipper and the rear wheel is at least 5 cm; the distance to the ground is no more than 5 cm.

2.6 Maximum User Weight Limit

2.6.1 The maximum user weight limit for Flexx Series is 130 kg. For detail information, refer to Section 8. SPECIFICATIONS.

2.6.2 Please note that loading exceeding maximum capacity can damage your wheelchair and cause malfunctions, which leads to a safety hazard. The warranty does not cover damage caused by improper operation of the wheelchair.

2.7 Avoid General Misuse

Please note that our "Owner's Manual" contains a number of cautions -- any vehicle can cause injury if misused -- use within our guidelines and with reasonable care and your safety will be increased. Your wheelchair will give years of safe use if used sensibly and carefully. Be aware that careless use endangers your own safety as well as that of others. ALWAYS follow the Highway Code when outdoors and the guidelines written in this manual.

2.8 Labeling

Please carefully read all the labeling on the wheelchair before driving it. Do not remove them. Protect them for future reference.



1

EC REP	KARMA MOBILITY, S. L. C/ PERIODISTA FRANCISCO CARANTONA DUBERT, 23 Bajo 33209 GIJÓN - ASTURIAS (SPAIN)	CE
UK REP	KARMA MOBILITY LTD. UNIT 6 TARGET PARK, SHAWBANK ROAD, REDDITCH, B98 8YN ENGLAND UNITED KINGDOM	UK CA
	KARMA MEDICAL PRODUCTS CO., LTD. NO. 2363, SEC. 2, UNIVERSITY RD., MIN-HSIUNG SHANG, CHIA-YI HSIEN, TAIWAN R.O.C.	MD
WARNING! USE ONLY ON STABLE SURFACES MAXIMUM USER WEIGHT 130kg (286 lbs)		

2

karma SERIAL NO. M12-1234

3

Model:	
Order No.:	
Delivery Date:	
Sewing No.: <input type="checkbox"/> 1 <input type="checkbox"/> 2 <input type="checkbox"/> 3 <input type="checkbox"/> 4 <input type="checkbox"/> 5 <input type="checkbox"/> 6	
Seat Width	Seat Depth
<input type="checkbox"/> 13	<input type="checkbox"/> 13
<input type="checkbox"/> 14	<input type="checkbox"/> 14
<input type="checkbox"/> 15	<input type="checkbox"/> 15
<input type="checkbox"/> 16	<input type="checkbox"/> 16
<input type="checkbox"/> 17 <input type="checkbox"/> 0	<input type="checkbox"/> 17 <input type="checkbox"/> 0
<input type="checkbox"/> 18 <input type="checkbox"/> 5	<input type="checkbox"/> 18 <input type="checkbox"/> 5
<input type="checkbox"/> 19	<input type="checkbox"/> 19
<input type="checkbox"/> 20	<input type="checkbox"/> 20
<input type="checkbox"/> 21	<input type="checkbox"/> 21
<input type="checkbox"/> 22	<input type="checkbox"/> _____
<input type="checkbox"/> _____	<input type="checkbox"/> _____
karma	Unit: inch

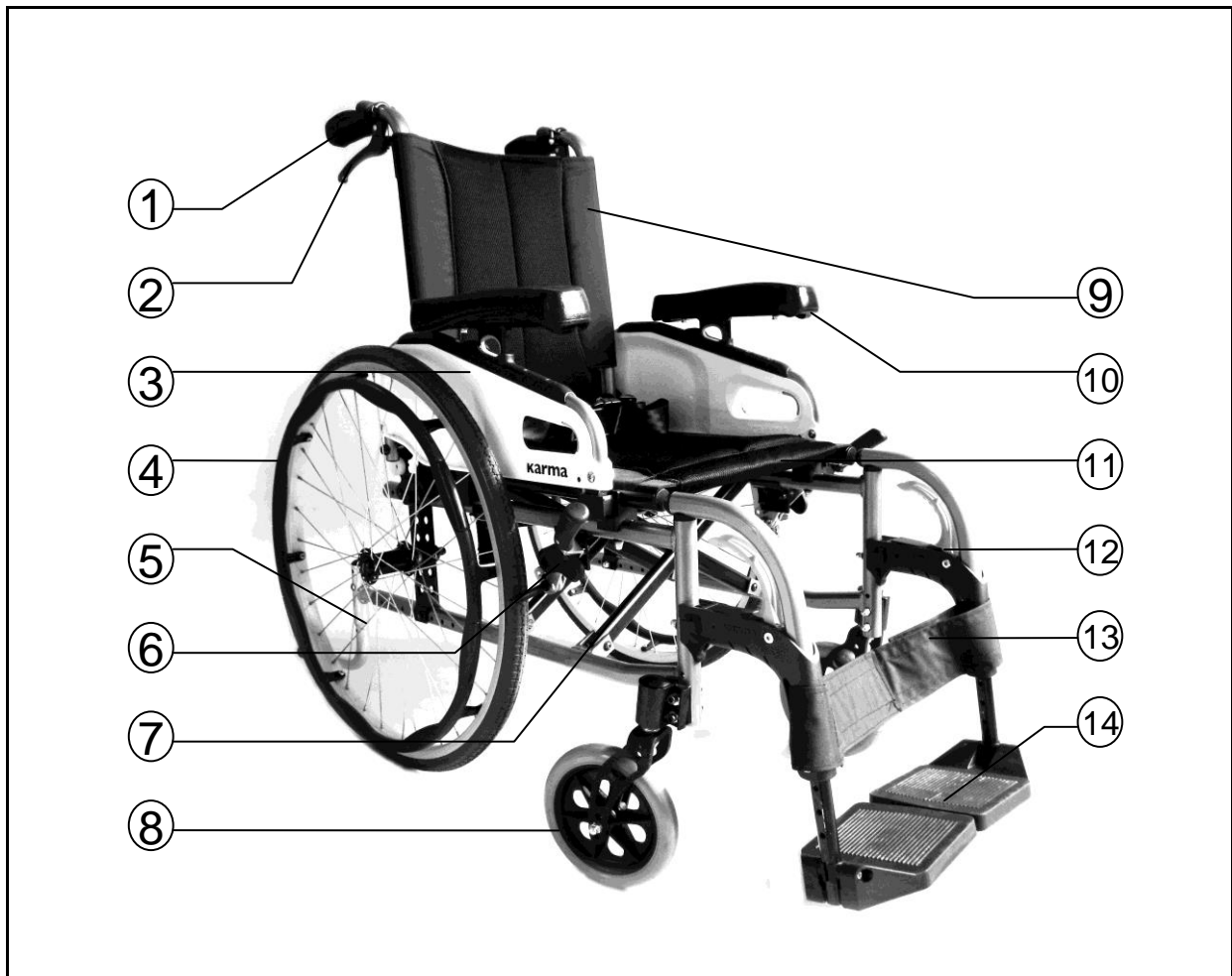
3. INTENDED USE & PARTS

3.1 Intended Use

- 3.1.1 The Flexx Series is a self-propelled or transit wheelchair. That is, it can either be propelled by the user (self-propelled) or by an attendant (transit).
- 3.1.2 The difference between KM-8022 and KM-8522 is that the backrest of KM-8022 is fixed, and that of KM-8522 is foldable.
- 3.1.3 It is designed to be used indoors, and with certain restrictions outdoor.
- 3.1.4 The bright color of key lockers make it easy for the user to operate the following functions without hesitation: swing away the footrests, flip back and adjust the armrest.
- 3.1.5 It is suitable for a single user up to 130 kg in weight. Hand brakes are provided for both rear wheels.
- 3.1.6 It is a highly adjustable wheelchair, and the detachable parts are easy to operate. Please refer to Section 4. OPERATION and Section 5.3 Adjustment Manual for detail instructions of adjustments.
- 3.1.7 Rear wheels with 24" solid tires and ergonomic handrims are provided as standard equipment. It also has an extremely durable aluminum alloy frame with tough accessories and does not deteriorate when exposed to extreme temperature.(neither the user nor the attendant need to touch any metal part in normal use)
- 3.1.8 The front casters are 7" solid tire as standard equipment.
- 3.1.9 When prescribing wheelchairs for use by full or partial amputees. (above or below knee, single or double) or other conditions that affects the user's natural centre of gravity, we suggest contacting your therapist or dealer as well as attaching anti-tippers.
- 3.1.10 Please contact your dealer for the optional accessories of the Flexx series which are planned to be launched shortly.

3.2 Flexx Parts Description

3.2.1 Flexx



1. Push Handle

2. Attendant Brake (Optional)

3. Side Panel

4. Quick Release Rear Wheel

5. Anti-Tipper (Optional)

6. Manual Parking Brake

7. Cross Brace (Cross Bar)

8. Caster

9. Backrest Upholstery

10. Height Adjustable Armrest

11. Seat Upholstery

12. Swing-Away & Detachable Footrest

13. Two-Piece Calf Strap

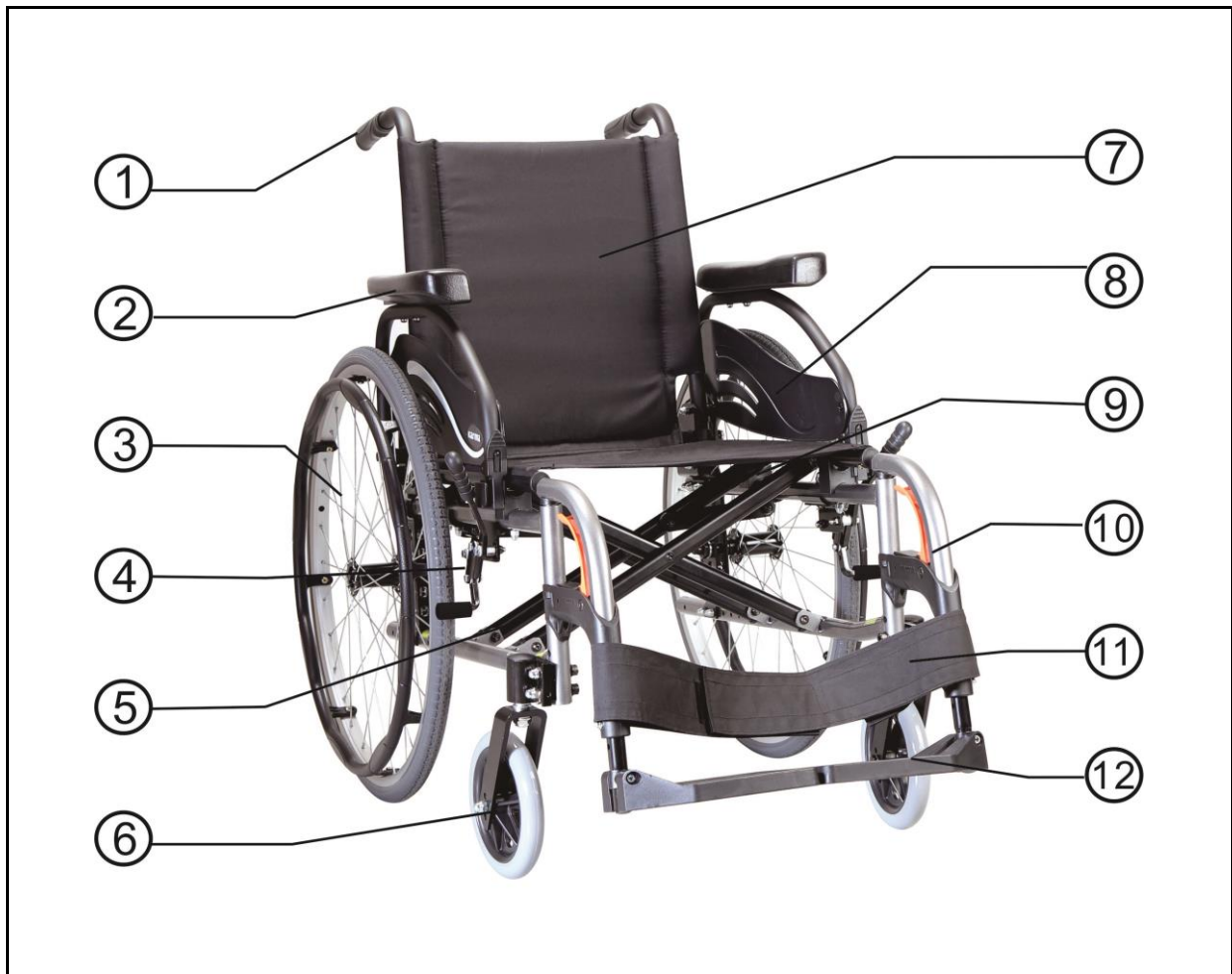
14. Footplate

CAUTION:

- Standard equipment are subject to change without notice.

3.2.2 Flexx S

(Standard upholstery, Flip-back armrests and Pull to lock brakes)



1. Push Handle

2. Height Adjustable Armrest

3. Quick Release Rear Wheel

4. Manual Parking Brake

5. Cross Brace (Cross Bar)

6. Caster

7. Backrest Upholstery

8. Side Panel

9. Seat Upholstery

10. Swing-Away & Detachable Footrest

11. Two-Piece Calf Strap

12. Footplate

4. OPERATION

4.1 Preparing For Use

4.1.1 Unpacking

4.1.1.1 If any part proves defective or missing, please notify your dealer immediately.

4.1.1.2 Please consult this owner's manual for complete instructions on the installation and operation of your Flexx.

4.1.2 Assembly of Swing-Away & Detachable Footrests

Please follow the below instructions for the assembly of Swing-Away & Detachable Footrests.

4.1.2.1 Footrests are packaged in a carton. (See Figure 4.1).

4.1.2.2 The items included are as show in the list below. (See Table 4.1 and Figure 4.2)

4.1.2.3 Insert the footplate into the footrest. (See Figure 4.3)

4.1.2.4 Adjust the footplate to the appropriate length, and insert the bolt and the nut. (See Figure 4.4 and 4.5)

4.1.2.5 Use the #4 Allen Key wrench provided by KARMA to tighten the bolt and the nut. (See Figure 4.6)



Figure 4.1



Figure 4.2

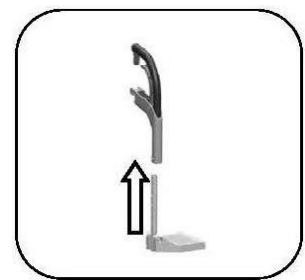


Figure 4.3



Figure 4.4



Figure 4.5



Figure 4.6

Table 4.1 Swing-Away & Detachable Footrest Assembly Part List		
No	Part	Quantity
1	Swing-Away & Detachable Footrest	2
2	Tube-in-Centre Footplate	2
3	M6 Bolt	2
4	M6 Nut	2
5	Calf Strap	2

4.1.3 Unfolding

While unfolding the Flexx, follow these instructions as listed below:

4.1.3.1 Stand at the side of the wheelchair as you prefer, hold the armrests and pull outwards. (See Figure 4.7).

4.1.3.2 Put your two hands on the seat pan and push down until the seat is fully lowered, be careful not to get your fingers caught. Make sure the frame is firmly seated in its holder (See Figure 4.8)

4.1.3.3 Install the footrests. (See Figure 4.9)

4.1.3.4 Flip the footplates down. (See Figure 4.10)

4.1.3.5 Fix the calf straps, and attach them. (See Figure 4.11 & 4.12)

4.1.3.6 Place the back and seat cushion on the wheelchair.

4.1.3.7 Ready to use!



Figure 4.7



Figure 4.8



Figure 4.9



Figure 4.10



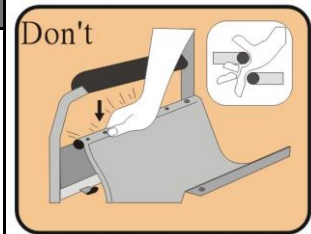
Figure 4.11



Figure 4.12

CAUTION:

- While completing step 4.1.3.2, never put your fingers around the sides or under the wheelchair as they can be trapped between the seat and the frame. (See the figure at the right.)
- The calf straps should be adjusted to the length appropriate for the user's condition.



4.1.4 Folding

While folding the Flexx, follow these instructions as listed below:

4.1.4.1 Unfasten the calf strap.

4.1.4.2 Flip up the footplates. (See Figure 4.13)

4.1.4.3 Pull up the seat by holding the front and the back of the seat. (See Figure 4.14)

4.1.4.4 Folding is now completed. (See Figure 4.15)

4.1.4.5 If the model No. is KM-8522, the backrest tubes could be folded (Figure 4-16)



Figure 4.13



Figure 4.14



Figure 4.15



Figure 4.16

CAUTION:

- Be careful not to get your fingers caught when folding the wheelchair.

4.2 Caster Angle Review

4.3 Getting into Your Wheelchair (See figure 4.19)

4.3.1 Push the wheelchair against a wall or a solid piece of furniture.

4.3.2 Apply the brakes.

4.3.3 Flip the footplates up.

4.3.4 The user lowers the body and sits on the wheelchair gently.

4.3.5 Fold down the footplates and position your feet in front of the heel loops.

4.3.6 Release the brakes.

4.3.7 Getting Out of Your Wheelchair (See figure 4.20)

4.3.7.1 Apply the brakes.

4.3.7.2 Up move the feet away from the footplates and fold up the footplates.

4.3.7.3 With one hand on the armrest, the person should bend slightly forward, to bring the body weight to the front of the seat, and then with both feet firmly on the ground and one foot behind the other, push up into the upright position.



Figure 4.19



Figure 4.20

4.4 Rear Wheel Disassembly

Quick release rear wheels are optional. If your wheelchair is equipped with quick release rear wheels, please follow these instructions as listed below.

4.4.1 Ensure that the brake is in the unlocked position first.

4.4.2 Support the weight of the chair with one hand by holding the push handle.

4.4.3 Press the hub cover and pull out the rear wheel.

4.4.4 Remove the rear wheel. (See Figure 4.21)

4.5 Rear Wheel Assembly

4.5.1 First ensure that the brake is in the OFF position.

4.5.2 Take up the wheel with axle and press the hub cover in the centre of the axle, as above.

4.5.3 This retracts the ball bearings that will allow you to push the axle into the wheel bracket that is located on the lower rear frame of the wheelchair.

4.5.4 When you remove your thumb from the button on the axle, the ball bearings should be visible protruding from the axle at the back of the wheel bracket. This will secure the wheel safely in the frame. (See Figure 4.22)

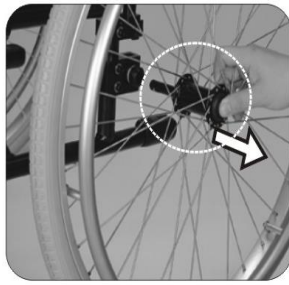


Figure 4.21

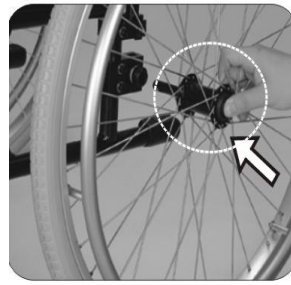


Figure 4.22

 **CAUTION:**

- You must make sure that the axle is fully located in the wheelchair bracket and that the ball bearings are fully open and have positively attached the wheel in the frame.
- The rear wheel can be mounted at different positions on the frame to alter the seat height and overall stability of the chair. Changing the wheel position should be carried out by your approved repairer or therapist.
- Do keep the axle clean and lubricated with light oil or maintenance spray.
- If pneumatic tires are fitted, please maintain them at the correct tire pressure.
- When the wheelchair is occupied, **DO NOT** try to remove the rear wheel even when anti-tippers are equipped.

4.6 Backrest Angle Adjustment

To adjust the backrest angle, follow the instruction as listed below and in Section 5.3.4:

4.6.1 Flip back the armrest.

4.6.2 Please refer to Section 5.3.4 Backrest Angle Adjustment. Use the tool provided by KARMA to loosen the bolts and nuts at the both sides of the backrest frame.

4.6.3 Adjust the backrest forward or backward to the position as desired. The scale showing the back angle is located on the back bracket (See Figure 4.23)

4.6.4 Retighten the bolts and nuts firmly.

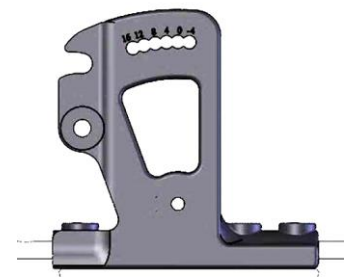


Figure 4.23

 **CAUTION:**

- The adjustment is in increments of 4° (6 positions), and the range of adjustment is 20° (from -4° to 16°)



WARNING:

- Anti-tippers **MUST** be equipped, when the backrest angle is set as greater than or equal to four degrees.

4.7 Seat Depth Adjustment

- 4.7.1 Remove both of the rear wheels and the seat upholstery. Lift the frame up and place it gently on a levelled table or place.
- 4.7.2 Use the tool provided by KARMA to loosen the bolts on the axle plate of quick release rear wheel. (See Figure 4.24)
- 4.7.3 Move the fixing plate of backrest tube and the axle plate of quick release rear wheel backward. (The length of adjustment depends on the accessory equipped. It can be 1" or 2" long).
- 4.7.4 Insert the optional extension tubes. (See Figure 4.25)
- 4.7.5 Tighten the screws to fix the extension tubes. (See Figure 4.26)

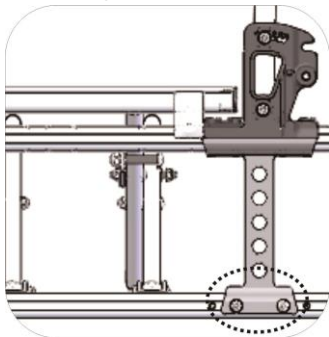


Figure 4.24

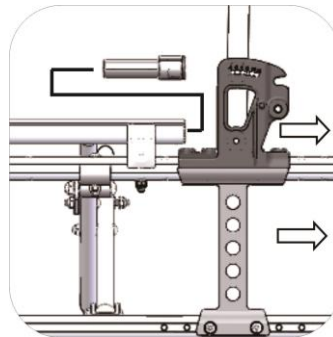


Figure 4.25

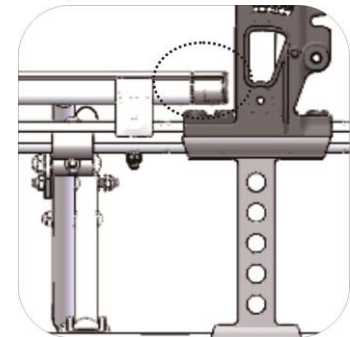


Figure 4.26

- 4.7.6 Position back the axle plate of quick release rear wheel, and re-tighten the bolts.
- 4.7.7 Re-assemble the rear wheels.
- 4.7.8 Add the seat depth extension strip at the front of the seat, and place back the seat upholstery. (See Figure 4.27)
- 4.7.9 Cover the seat depth extension strip with the extended part of the seat upholstery. (See Figure 4.28)



Figure 4.27



Figure 4.28

 **CAUTION:**

- The adjustment is in increments of one inch or two inches. The length of adjustment depends on the accessory equipped.
- Changing the seat depth should be carried out by authorized dealer or qualified therapist.
- As the seat depth changes, the manual brakes and the front support also moves. Adjust the caster bracket to make it vertical to the floor.

 **WARNING:**

- For your safety, when the seat depth is set as 18", please note the wheelchair **CAN NOT** be equipped with 20" rear wheels.

4.8 Armrest Adjustment

Swing-away and height-adjustable armrest.

4.8.1 To flip-back the armrest:

Press the key locker of and lift the armrest up to flip it back. (See Figure 4.29 and 4.30)

4.8.2 To adjust the height of the armrest.

4.8.2.1 Gently press the spring lock at the armrest and lift it up. (See Figure 4.31 and 4.32)

4.8.2.2 Adjust the height as desired.



Figure 4.29



Figure 4.30



Figure 4.31



Figure 4.32

Swing-away armrest with adjustable spacers.

4.8.3 To adjust the height of the armrest.

Press the key locker of and lift the armrest up to flip it back. (See Figure 4.33 and 4.34)

4.8.3.1 Fit the spacer bracket in various positions. (See Figure 4.33, 4.34 and 4.35)

4.8.3.2 Release the screws, move the spacer bracket and re-tighten the screws.

4.8.3.3 Take care of your fingers when adjusting the arm pad height.



Figure 4.33



Figure 4.34



Figure 4.35

CAUTION:

- The adjustment is in increments of 2 cm (5 positions), and the range of adjustment is 8 cm (Swing-away and height-adjustable armrest).
- The adjustment is in increments of 1 cm (2 positions), and the range of adjustment is 2 cm (Swing-away armrest with adjustable spacers).
- Before the user uses the armrest to release pressure or transfer, please make sure that the armrest height is secured in the effective range.
- When the attendant is moving the chair when it is occupied, lower the armrest to the lowest point.
- Do not sit on the armrest in any circumstances.

4.9 Footplate Height Adjustment

To adjust the footplate height, follow the instruction as listed below:

4.9.1 Use the tool provided by KARMA to loosen the bolts at the bottom part of the footrest. (See Figure 4.36)

4.9.2 Adjust the height till the user feel comfortable or the user's thighs are parallel to the ground. Retighten the bolts.



Figure 4.36

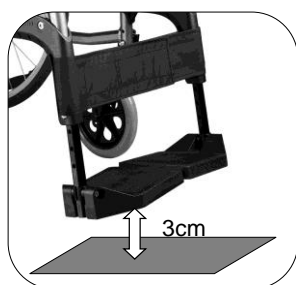


Figure 4.37



Figure 4.38



Figure 4.39

CAUTION:

- The adjustment is in increments of 2.5 cm (5 positions), and the range of adjustment is 10 cm.
- Make sure that the footplate height is adjusted properly according to the user's calf length to reduce pressure on the body. (See Figure 4.38 and 4.39)
- The distance between the footplates to the floor must be more than 3 cm from the floor. (See Figure 4.37)

4.10 Footrest

Footrests can be swung away and be detached, which makes transferring out easier. Please follow below instructions to swing away and detach them.

4.10.1 Unfasten the calf straps. (See Figure 4.40)

4.10.2 Flip up the footplates. (See Figure 4.41)

4.10.3 Hold the release lever and swing the footrest to the side. Depending on the environment the user is in, you can swing it inward or outward. (See Figure 4.42)

4.10.4 When the footrest is swung to the side, it can be detached by lifting it up. (See Figure 4.43)



Figure 4.40



Figure 4.41



Figure 4.42



Figure 4.43

4.11 Pelvic belt

Please follow the instructions below to use the pelvic belt for your safety.

4.11.1 How to Operate It

4.11.1.1 When you sit on the wheelchair, fasten the pelvic belt. (See Figure 4.44)

4.11.1.2 Adjust the belt and make it fit your body for comfort and safety.

4.11.1.3 The most comfortable way of using the pelvic belt is to keep it as 45 degrees. (Figure 4.45)

4.11.1.4 When you don't use it, please fasten the belt to avoid the belt dropping into the rear wheels during motion.



Figure 4.44

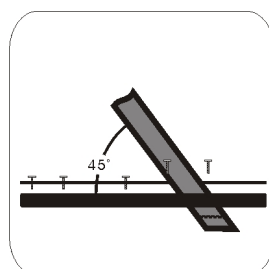


Figure 4.45



SUGGESTION:

- Please kindly be advised that the pelvic belt should be fitted tightly around the user's pelvis and be tightened until you can just get one finger through between the pelvic belt and the user. Kindly check the pelvic belt position is fitted to the place as we recommend. If it is not able to be this way, please consult your supplier.

4.11.2 Pelvic belt Adjustment

4.11.2.1 Make sure that the total length of the pelvic belt is sufficient.

4.11.2.2 Adjust the length of the pelvic belt through the buckle of both ends.

(Figure 4.46)

4.11.2.3 Pull the two parts of belt tight. (Figure 4.47)

4.11.2.4 Push the buckle of both ends to the plastic clip so that the pelvic belt will not slip out of the position.



Figure 4.46

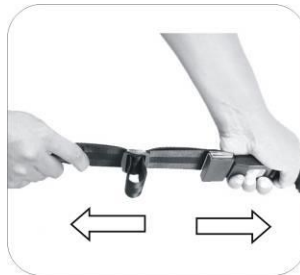


Figure 4.47

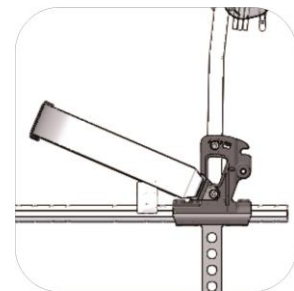


Figure 4.48

4.11.3 Pelvic belt Fitting

4.11.3.1 Loosen the screw on the back bracket..

4.11.3.2 Fit the pelvic belt. Use the screw you removed and retighten.(Figure 4.48)

4.11.4 Maintenance

The pelvic belt is made from 100% polyester fibers and the clasp is made from plastic. It does not require any maintenance but should be inspected every month to ensure that the edges are not frayed and weekly to make sure that it correctly fits the user.



CAUTION:

- **Maintenance:** There is no specific maintenance for the pelvic belt; however, please check if the edge of the pelvic belt is worn or torn before you use it. Meanwhile, please adjust the pelvic belt properly to fit the user. If the pelvic belt is damaged, please replace a new one immediately.

4.12 Manual Parking Brake

This wheelchair is equipped with two manual parking brakes.

4.12.1 They are applied directly against the tires. Push the handle of the manual brake forward to engage and pull the handle of to release.

4.12.2 Braking could be less efficient due to:

4.12.2.1 Worn tire tread.

4.12.2.2 Low tire pressure. (if equipped with pneumatic tires)

4.12.2.3 Wet tires

4.12.2.4 Improper wheel locks adjustment.

4.12.3 The manual parking brakes are not designed to be used for a moving wheelchair.

4.12.4 Always use the handrims for braking when you are in a moving wheelchair. Make sure that the interval between the tires and the brakes complies with the given specifications. (See Figure 4.49)

4.12.5 To adjust the interval between the tires and the brakes, first loosen the bolts and set the appropriate gap. Then re-tighten the bolts. (See Figure 4.50)

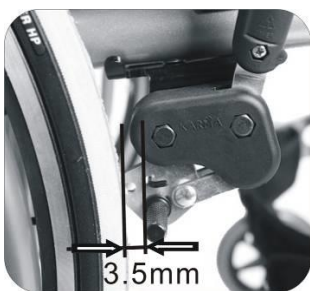


Figure 4.49

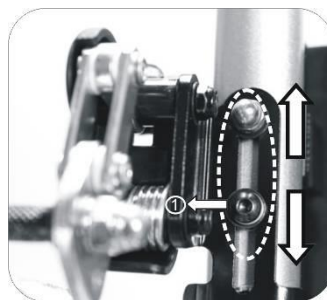


Figure 4.50

CAUTION:

- After each adjustment of the rear wheels, check the manual brake gap and re-adjust if necessary.

4.13 Caster Angle Adjustment

Please put the wheelchair on a flat table while adjusting in order to ensure the accuracy.

4.13.1 Make sure the caster adapter is 90 degrees to the ground.

4.13.2 Once you adjust the seat height, front caster, rear wheel and the center of gravity position, please make sure the caster adapter is 90 degrees to the ground.

4.13.3 Rotate both forks so that the casters are towards the rear of the wheelchair. Place a square or pocket level against the flat surface on the rear of the fork and note whether this surface is vertical. If this surface is more than 2 degrees away from vertical, your casters require re-squaring. (See Figure 4.17)

4.13.4 Use the tool to loosen the screws and nuts on the caster adapter. (See Figure 4.18)

4.13.5 Adjust the caster adapter to 90 degrees toward the ground.

4.13.6 Place a square or pocket level against the flat surface on the rear of the fork and note whether this surface is vertical. (See Figure 4.51)

4.13.7 Place the eccentric hexagonal pads in the appropriate direction, and lock the screws and nuts of the front caster adapter. (See Figure 4.52)

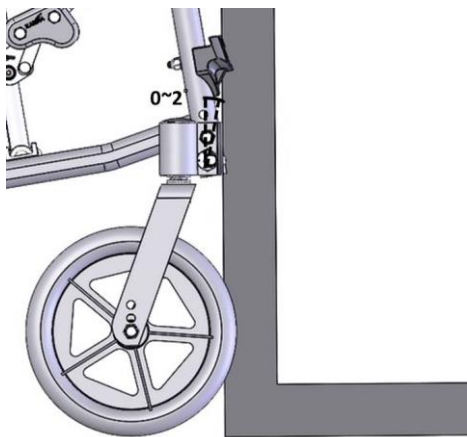


Figure 4.51

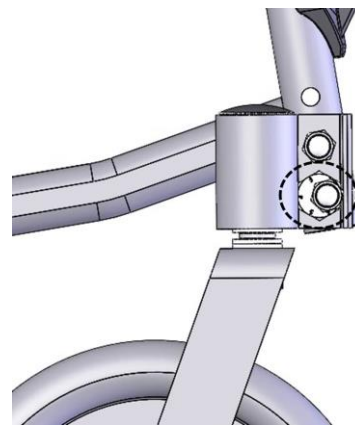


Figure 4.52

4.13.8 Different caster positions are available based upon the selection of seat height, castors and rear wheels. Please refer to Section 5.3.2 & 5.3.3 Seat Height Adjustment for Rear Wheels.

4.13.9 Please refer to the Flexx series Maintenance Manual about how to adjust the caster angle.

4.13.10 Please take advice from your authorized dealer, technician or qualified therapist, if you want to replace a fork or castors or rear wheels.

4.14 Height-adjustable Push Handle (Optional)

4.14.1 The push handle is adjusted by loosening the locking handle while moving the push handle upward or downward to the desired height. (See Figure 4.53).

4.14.2 Retighten the locking handle.

4.14.3 The range of adjustment is 15 cm.

4.15 Anti-Tippers (Optional)

The main purpose of anti-tippers is to prevent the user from tipping over backward.

4.15.1 When you install the anti-tippers, if the anti-tippers are adjustable, please make sure the distance between the end of each anti-tipper and the rear wheel is at least 5cm; the distance to the floor does not exceed 5cm.

4.15.2 To avoid the attendant from stumbling when pushing it forwards/backwards, be sure to put the anti-tippers away by treading them in clockwise/ counterclockwise directions. (See Figure 4.54 and Figure 4.55)



Figure 4.53



Figure 4.54



Figure 4.55

CAUTION:

- If the anti-tippers are not fitted, or have been fitted incorrectly, there is a risk of tipping over and of injury



WARNING:

- When the axle has been adjusted, the wheelchair must be evaluated by a qualified therapist. The position of the anti-tippers must be adjusted to guarantee your safety.
- Anti-tippers **MUST** be equipped, when the backrest angle is set as greater than or equal to four degrees.

4.16 Transferring In

4.16.1 Engage both manual parking brakes.

4.16.2 Turn the footplates up and swing them to the side.

4.16.3 Lower the user into the seat, allowing them to use the armrests for support.

4.16.4 Turn the footplates back down, so that the user can place his feet on them.



CAUTION:

- Always ensure that the front casters are in line with the rear wheels and pointing forwards and that the back of the chair is secure either against a wall or firmly held by an attendant.

4.17 Transferring Out

4.17.1 Sideways transfer.

This approach is appropriate for users with sufficient torso strength.

4.17.1.1 Flip back your armrest, and make sure that the chair is near your final destination.

4.17.1.2 Prop up your body and move sideward slowly, using transfer board.
Be careful not to hit the brake or other components of wheelchair.

4.17.2 Front transfer

This approach is appropriate for users who are more or less able to stand up and have strong upper body.

4.17.2.1 Make sure that the place where you're moving to is as close to you as possible.

4.17.2.2 Move the wheelchair backwards so that the casters are pointing forwards and are in line with the rear wheels.

4.17.2.3 Ensure that, where possible, the rear of the chair is against a wall or, if not, it must be firmly held by an attendant.

4.17.2.4 Engage both hand brakes.

4.17.2.5 Turn the footplates up and swing them to the side.

4.17.2.6 Slide forwards on the seat. Place one foot firmly on the ground with the knee at a right angle and the other foot slightly apart and further back.

4.17.2.7 Place your hands on the front of the armrests and moving your weight forward, bring your head and shoulders up over your knees as you push yourself up.

 **CAUTION:**

- Never stand on the footplates when getting into (or out of) the chair. (See Figure 4.54)
- When getting in and out of the wheelchair please use the manual parking brakes. The manual parking brake is the lever at the side of the wheelchair.
- Make sure that the manual parking brakes are applied to prevent the chair from sliding away. Also see that the footplates are flipped up for ease of entering or exiting. (See Figure 4.55)
- Please ensure that neither the tread on your tires nor the brake block has become too worn. If pneumatic tires are fitted, please maintain at the recommended tire pressure for the same reason.
- Please ensure that occupant's fingers do not get caught in the brake.



Figure 4.549



Figure 4.55



Figure 4.56

4.18 Tilting

For the user's safety, tilting must be performed by an attendant.

4.18.1 Make sure both the user's feet are on the footplates and will not slip off. Make sure the handgrips are secure and cannot slip off.

4.18.2 Release both brakes.

4.18.3 Grasp both push handles firmly.

4.18.4 Tell the person in the wheelchair that you are about to tilt the wheelchair backwards.

4.18.5 Pull back with both hands and push down and forwards with the foot. This will bring the wheelchair onto the back wheels. (See Figure 4.56)

CAUTION:

- When a wheelchair is tilted to about 25 degrees it will balance on the rear wheels and be easy to hold. If it is tilted further back it will be difficult to hold and the person in the wheelchair will feel unsafe.
- Lower the wheelchair with your back straight, keep your foot on the anti-tipper and lower the wheelchair slowly forwards softly to the ground.

4.19 Going Down Kerbs

Please note: It is always better to avoid kerbs where possible by using ramped kerbs or slopes and this operation is best attempted with the aid of an attendant.

4.19.1 Going Down Kerbs Forwards with an Attendant.

CAUTION:

- This is the more difficult method and can jar the user but allows a better view of traffic.
- Be careful that the anti-tippers do not get caught on the kerb causing the user to fall.
- **NEVER ALLOW THE WHEELCHAIR TO TIP FORWARDS WHEN GOING DOWN A KERB.**

4.19.1.1 Position the wheelchair so that the front casters are near the edge of the kerb and make sure that the road is clear.

4. 19.1.2 Move the wheelchair slowly and carefully forwards while tilting it back slightly. Be ready to take the weight when the rear wheels cross the kerb edge. Ensure that both rear wheels touch the ground at the same time to avoid tipping the wheelchair.

4. 19.1.3 Gently lower the front casters, and AVOID JARRING THE USER.

4.19.2 Going Down Kerbs Backwards with an Attendant.

 **CAUTION:**

- **This is the easier and smoother method BUT it requires the attendant to step backwards into the road.**

4.19.2.1 Back the wheelchair to the kerb edge and be careful that the back wheels are equally near the edge.

4. 19.2.2 Grasping the push handles, gently lower the rear wheels onto the road. Be prepared to control the weight as it descends and ensure that the back wheels touch ground at the same time.

4. 19.2.3 Tilt the wheelchair back slightly and pull the tilted wheelchair far enough into the road so that the casters and footrests can be lowered clear of the kerb.

4.20 Going Up Kerbs

Please note: This operation is best attempted with the aid of an attendant and the best method is to go up kerbs forwards as this maintains the direction of travel and is physically less demanding for the attendant.

4.20.1 Going Up Kerbs Forwards with an Attendant

4.20.1.1 As the footrests nearly touch the kerb tilt the wheelchair. The wheelchair should be tilted just high enough to allow the front casters to roll smoothly onto the pavement.

4. 20.1.2 Push the wheelchair forward until the rear wheels are touching the kerb. Then, continuing the movement, lift at the push handles while moving the wheelchair forwards.

4.20.2 Going Up Kerbs Backwards With an Attendant

Please note: for safety's sake we do not recommend using this method.

4.21 Going Up or Down Steps/Stairs

- 4.21.1 Please note: avoid flights of steps particularly if no extra help is available. Use ramps or lifts wherever possible.
- 4.21.2 Two attendants are necessary, each capable of carrying at least half of the combined weight of the person and the wheelchair.
- 4.21.3 Each helper should bend at the knees and grip the main frame: with the front attendant's hands just under the front of the seat, with the back attendant's hands holding the frame just under the push handles.



CAUTION:

- **Never hold on to movable or detachable parts.**
- **ALL LIFTING SHOULD BE DONE WITH A STRAIGHT BACK.**
- **Straighten legs to lift the wheelchair. Carefully carry it up or down steps; be aware of how you place your feet -- do not cross them and trip yourself up.**

4.22 General Use

In conditions of normal use in attendant pushing or self-propelling, please follow the instructions below.

- 4.22.1 Ensure that the brakes are always locked when the chair is not being pushed. (See Figure 4.57)
- 4.22.2 Always make sure that both feet are safely on the footplates and that clothing is safely tucked out of the way and cannot get caught in the wheels. (See Figure 4.58)
- 4.22.3 Always use both hands on the push handles to control the chair. (See Figure 4.59)
- 4.22.4 Always avoid steep or uneven surfaces because the chair may tip over. (See Figure 4.60)
- 4.22.5 Always avoid soft surfaces because the casters may get bogged down. (See Figure 4.61)
- 4.22.6 Always be careful not to go too fast or turn too quickly and try to maintain a smooth and steady ride.
- 4.22.7 Before crossing the road, please stop completely and look both ways.
- 4.22.8 Cross tracks or ruts at right angles to avoid your casters getting stuck.
- 4.22.9 Do not drive at full speed over the railroad tracks.

4.22.10 Please keep your hands and arms inside the wheelchair when going through doorways.

4.22.11 Note to the attendant- PLEASE keep in contact with the person in the chair. If you stop to look in shop windows or talk to people, remember to turn the chair so that the person in the chair does not have to turn.



WARNING:

- NEVER lock the brakes too quickly as this may tip the user out of the wheelchair.



Figure 4.57



Figure 4.58



Figure 4.59



Figure 4.60



Figure 4.61

4.23 Storage

Make sure that the wheelchair is fully folded when it is in storage.



SUGGESTION:

- Please store the wheelchair in a location where it is out of direct sunlight, rain and dew. For more details, consult your KARMA dealer.



WARNING:

- Don't put anything on the wheelchair while it is in storage. Storing goods on a folded wheelchair will cause damage and is not covered under warranty. (See the figure at the right.)



4.24 Transportation

Flexx series (KM-8022 /KM-8522/KM-8022S/KM-8522S) have been crash tested to ISO7176-19 and is suitable to be used as seats in vehicles that has been adapted for this purpose. The wheelchair must be securely restrained as described in this manual. Flexx series was tested with a four point webbing system. For further information on the use of wheelchair restraints, please refer to the manufacturer's user guide.

KARMA always recommends that the user transfers to the vehicle seat, because using a wheelchair as a seat in a vehicle does not provide the equivalent level of safety of a vehicle seating system.

WARNING:

- **Please transfer to a vehicle seat in the vehicle in all permitted cases.**

4.24.1 Before use

4.24.1.1 Please detach all easily removable accessories from the wheelchair and store them in a safe place where they cannot move around and become a safety hazard.

4.24.1.2 A four point tie-down system should tightly fasten to the lower wheelchair frame marked with a yellow sticker as pictured at the right.



4.24.1.3 An occupant restraint system using both a pelvis and harness must also be fastened to the transport vehicle to insure user safety. Again, please refer to the restraint system's instructions.

4.24.1.4 The attendant / transporter must double-check all fastening points for proper connection and tightness to assure the wheelchair user's safety. The attendant / transporter must fully understand the fastening system's usage and its weight limitations.

4.24.1.5 See <https://www.braunability.eu/en/products/tie-downs-and-seatbelts/wtors/> for more information.



CAUTION:

- When transporting or lifting, never hold on to attachments or accessories (front/rear wheels, handrims, casters, footrests, armrests, anti-tippers etc).
- All lifting should be done with a straight back. Straight legs to lift the wheelchair. Carefully carry it up or down steps; be aware of how you place your feet, do not cross them and trip yourself up.

4.24.2 Method of Restraint

Flexx series was tested with four point webbing systems, with the back in the upright position. Please refer to the restraint manufacturer's user guide for further details of its operation.

4.24.3 Fitting the Front Restraint

4.24.3.1 Connect the straps around the wheelchair frame and caster bracket as pictured below. The anchor point is marked with a yellow sticker.

4.24.3.2 Take the brakes off and reverse the wheelchair to tension the front straps.
Apply wheelchair brakes (the brakes should be left on during transport)

4.24.4 Fitting the Rear Restraint

4.24.4.1 Attach rear straps into rail approximately 300 mm behind the wheelchair backrest.

4.24.4.2 Attach the hooks to the wheelchair tie-down brackets at the rear of the wheelchair as pictured below. Tension the restraint until the wheelchair is secure.



Fitting the Front Restraint



Fitting the Rear Restraint

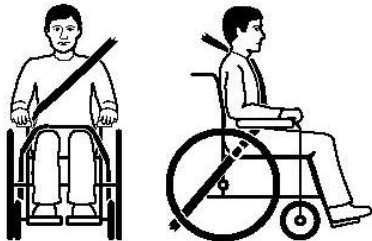
4.25 Fitting Seat Belt

4.25.1 Fasten the three point safety belt around the user.

4.25.2 The occupied wheelchair should be located in a forward-facing configuration, with the parking brake applied.

4.25.3 Pelvic restraints should make full contact across the front of the body near the junction of the thigh and pelvis as pictured below (correct seat belt position).

4.25.4 Restraints should not be held away from body by wheelchair components such as armrest or wheels as pictured below (Incorrect seat belt position).



Correct seat belt position



Incorrect seat belt position

5. INSPECTION AND MAINTENANCE

5.1 Daily Check

- 5.1.1 Check the following items before travelling. If you find anything abnormal, visit your KARMA wheelchair dealer for further inspection before using it.
- 5.1.2 Examine the brakes and check for any wear, damage and misalignment. Replacing or adjusting the brakes should be carried out by your approved technician.
- 5.1.3 Check that the handgrips are not damaged and are securely bonded to the push handles.
- 5.1.4 Check that the anti-tippers are not damaged and are securely attached.
- 5.1.5 Check that the anti-tippers' wheels and frame are not damaged and are securely mounted.
- 5.1.6 Before using the wheelchair, make sure all nuts and bolts are tight. Check all parts for damage or wear and have a qualified technician replace it if necessary. Check all parts for proper adjustment. Inspect brakes for proper operation.
- 5.1.7 The wheels and tires should be checked periodically for cracks and wear, and should be replaced by a qualified technician.
- 5.1.8 A qualified technician can be found at an authorized distributor/dealer.

CAUTION:

- Visit a KARMA wheelchair dealer for inspection and maintenance if you find anything abnormal.

5.2 Regular Maintenance Record

- 5.2.1 In order to ensure that your wheelchair is in good condition, please contact KARMA authorized dealers regularly and make further wheelchair inspection and maintenance records. We recommend that you inspect and maintain your wheelchair **every six months**.
- 5.2.2 A maintenance/service fee may apply.

**WARNING:**

- Even if you don't use the vehicle for a long time, the wheelchair should still be maintained regularly. You should clean your wheelchair regularly.

ITEM	WEEKLY	MONTHLY
GENERAL		
● Wheelchair rolls straight (no excessive drag or pull to one side)		V
FRAME & CROSS BRACE		
● Inspect frame structure for small cracks/fissures.		V
● Inspect for bent frame or cross bars.		V
BRAKES		
● DON'T interfere with tires when rolling.		V
● Pivot points free of wear and looseness.		V
● Easy to engage.	V	
● Stop the wheelchair from moving when engaged.	V	
SEAT & BACKREST		
● Inspect for rips or sagging.	V	
● Inspect for any loose or broken hardware, such as the frame and etc.		V
CASTERS		
● Inspect the casters for smooth rotation of the caster wheels and caster assembly.		V
● Inspect the caster for any wear in the bearings/mountings and for tire wear or damage.		V
REAR WHEELS		
● Quick-release axles lock properly; lubricate if necessary (applied to quick-release rear wheel only)	V	
● No excessive side movement or binding when lifted and spun.		V
● Inspect for any cracked, bent or broken spokes.	V	

ITEM	WEEKLY	MONTHLY
ARMRESTS		
● Inspect the detachable armrest button for effective locking.		V
● Make sure the armrest detaches and flips back properly.		V
FOOTRESTS		
● Inspect the footplate height adjustment bolts are securely tightened.		V
● Inspect the swing-away footrest release lever for effective locking.		V
ANTI-TIPPERS		
● Check anti-tippers are not damaged and are securely attached.		V
TIRES		
● Inspect for flat spots, cracks and wear.	V	
● If pneumatic tires, check for proper inflation.	V	
● Check tire tread depth is more than 1 mm.		V
● Check tire pressure. Tire pressures are specified on the side of the tire.	V	
PELVIC BELTS		
● Check pelvic belts are rigidly fixed and have no sharp edges to let the user's skin be tore and bruised.		V

 **CAUTION:**

- Never disassemble or modify the wheelchair frame structure. Otherwise, injury or damage may occur. This will void the warranty.
- As with any wheelchair, the wheels and tires should be checked periodically for cracks and wear, and should be replaced. Failure to keep tires at the correct pressure will reduce the braking efficiency.

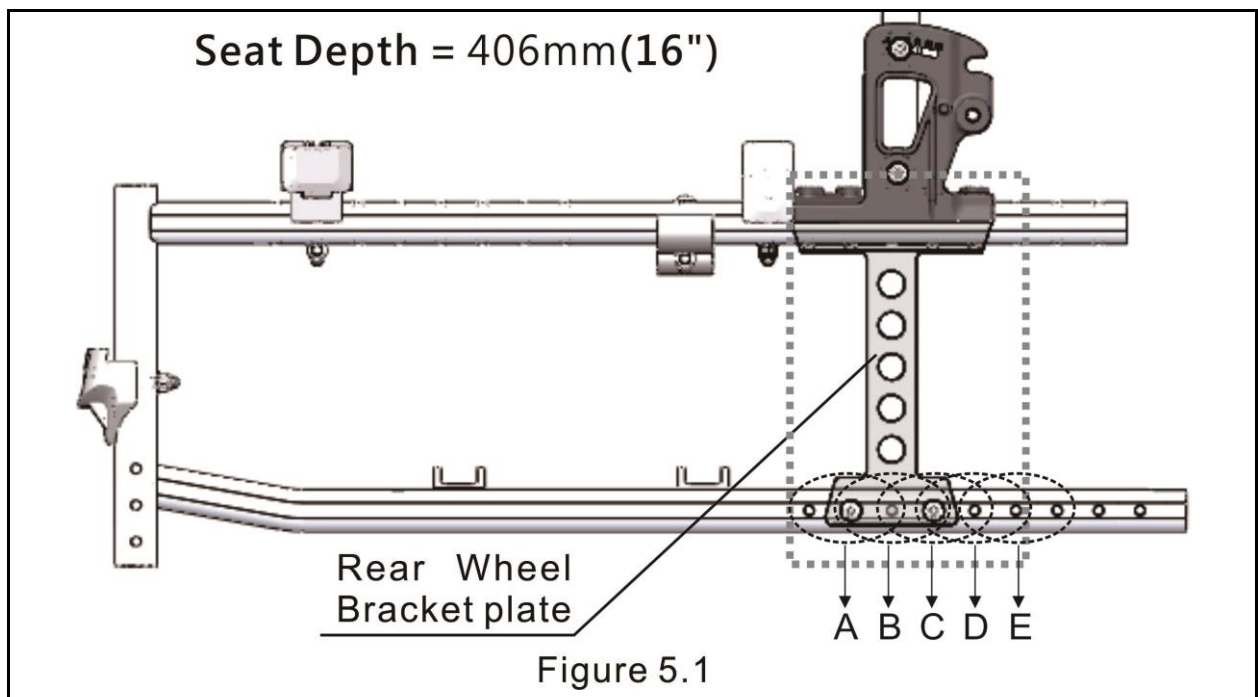
5.3 Adjustment Manual

5.3.1 Wheelbase Length Adjustment

Seat Depth = 16"

Align the axle plate with one of the four adjustment holes. There are four positions possible : (See Figure 5.1)

- (1) Factory Setting is Standard position "B". For better stability, please set it as Passive position "C" or "D"
- (2) Active position with better handling is "A".
- (3) When the axle plate is set as position "A" or "D", please equip the



I	Axle plate at A position = Active position.
II	Axle plate at B position = Standard position (Factory Setting).
III	Axle plate at C position = Medium position.
IV	Axle plate at D position = Passive position.



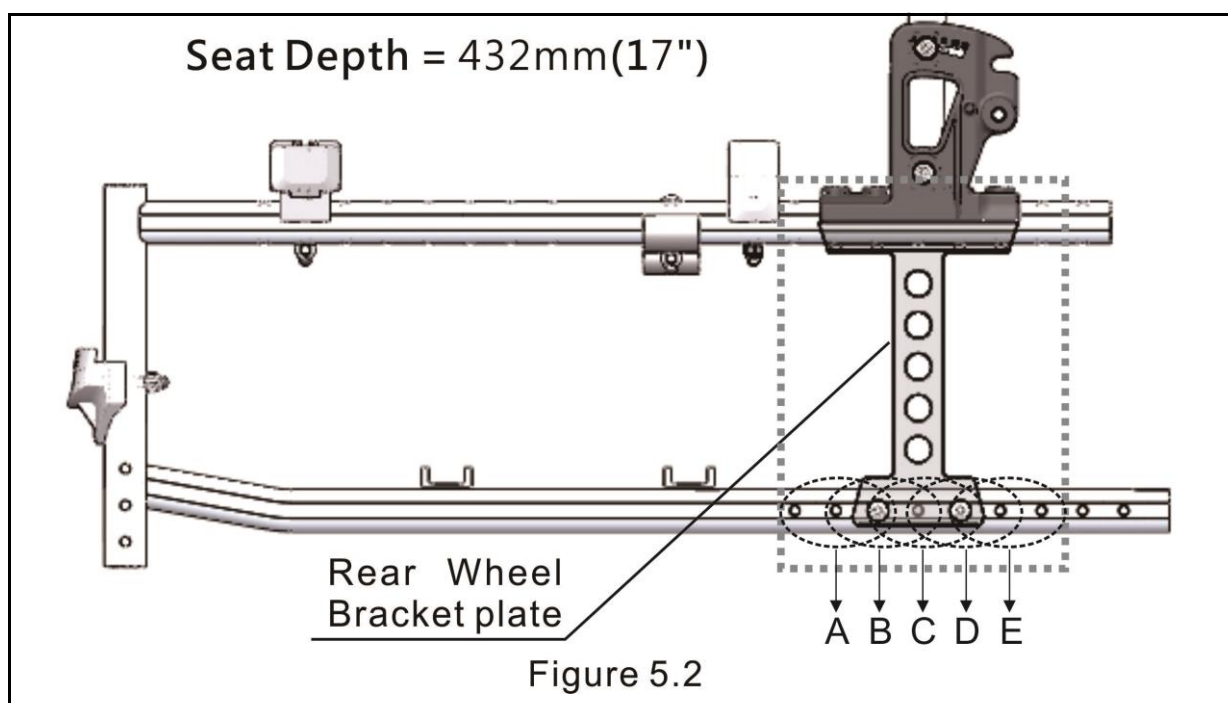
WARNING:

- When the axle plate is set as Active position (A), anti-tippers **MUST** be equipped to your wheelchair for safety reason.

Seat Depth = 17"

Align the axle plate with one of the five adjustment holes. There are five positions possible : (See Figure 5.2)

- (1) Factory Setting is Standard position "C". For better stability, please set it as Passive position "D" or "E"
- (2) Active position with better handling is "A or B".
- (3) When the axle plate is set as position "A", "B" or "E", please equip



I	Axle plate at A or B position = Active position.
II	Axle plate at C position = Standard position (Factory Setting).
III	Axle plate at D position = Medium position.
IV	Axle plate at E position = Passive position.



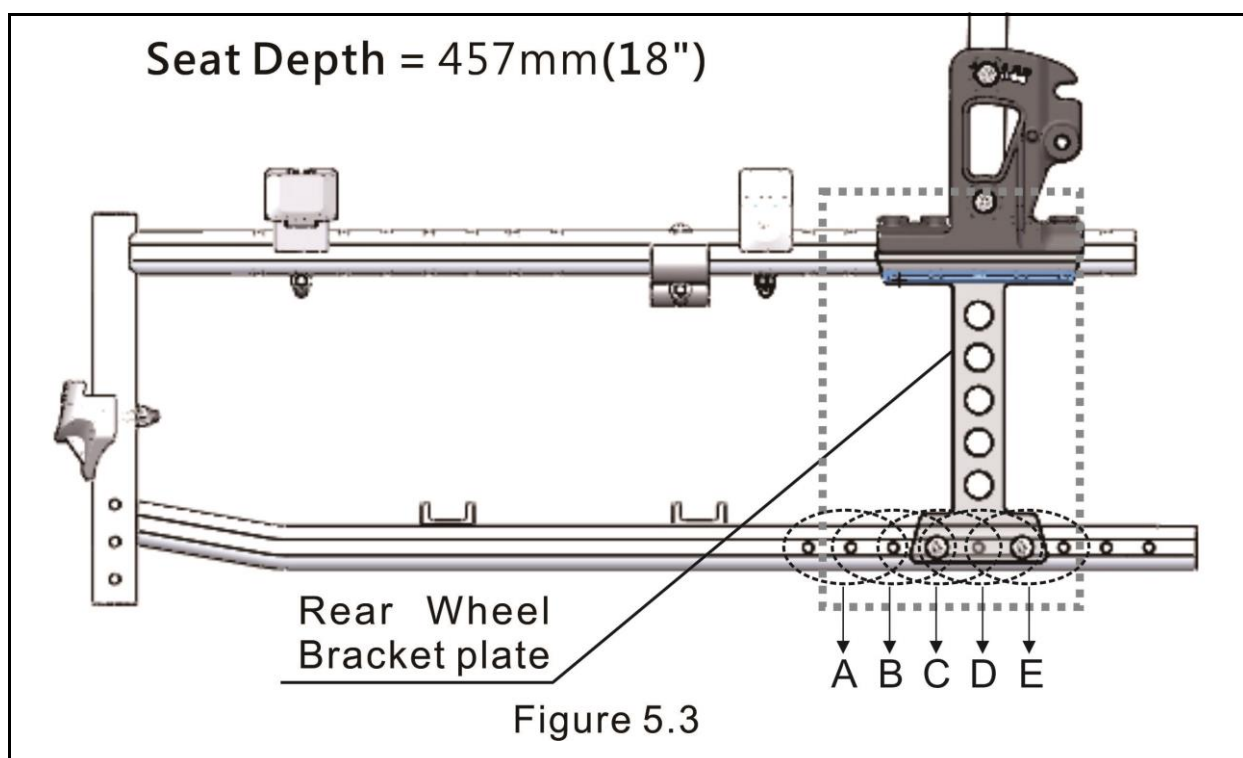
WARNING:

- When the axle plate is set as Active position (A or B), anti-tippers **MUST** be equipped to your wheelchair for safety reason.

Seat Depth = 18"

Align the axle plate with one of the four adjustment holes. There are four positions possible : (See Figure 5.3)

- (1) Factory Setting is Standard position "D" For better stability, please set it as Passive position "E"
- (2) Active position with better handling is "B or C".
- (3) When the axle plate is set as position "B" or "C", please equip the



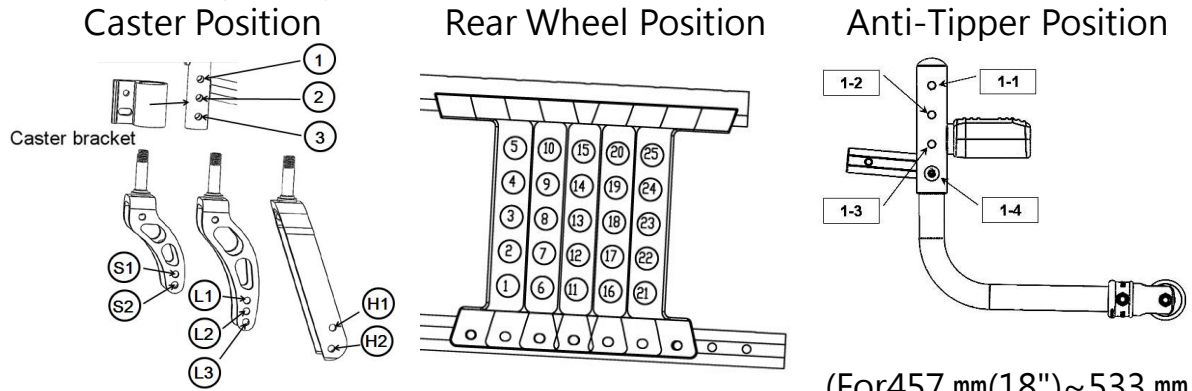
I	Axle plate at B or C position = Active position.
II	Axle plate at D position = Standard position (Factory Setting).
III	Axle plate at E position = Passive position.



WARNING:

- When the axle plate is set as Active position (B or C), anti-tippers **MUST** be equipped to your wheelchair for safety reason.

5.3.2 Seat Height Adjustment for 20", 22" and 24" Rear Wheels



(For 457 mm (18") ~ 533 mm

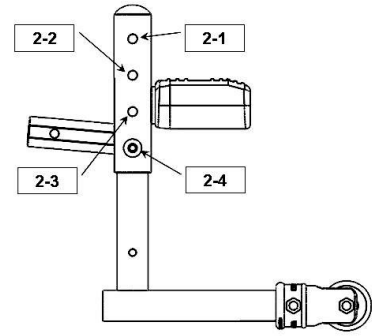
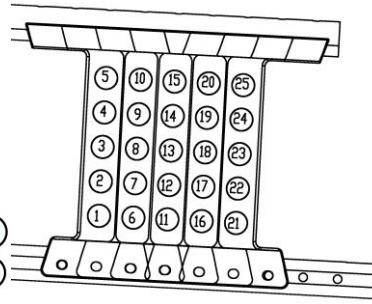
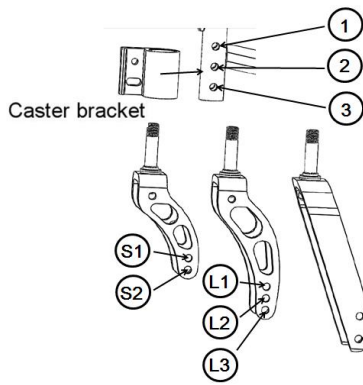
(21") seat height)

Seat Height	Caster Size Caster Position		Rear Wheel	Caster Bracket	Rear Wheel Position	Seat Angle	Anti-Tipper Position
533 mm (21")	8" <u>H2</u>		24"	②③	6	6.6°	1-4
					11	6.1°	
					16	5.7°	
502 mm (20")	7" L3	8" L2	24"	②③	7	6.5°	1-3
					12	6°	
					17	5.8°	
	7" L3	8" L2	22"	②③	6	5.5°	
					11	5.3°	
					16	5.1°	
	7" L3	8" L2	20"	②③	6	7.8°	
					11	7.2°	
					16	6.9°	
483 mm (19")	7" L2	6" L3	24"	②③	8	5.5°	1-2
					13	5.3°	
					18	5.1°	
	7" L2	6" L3	22"	②③	7	5.8°	
					12	5.6°	
					17	5.3°	
	7" L2	6" L3	20"	②③	6	5.2°	
					11	5.0°	
					16	4.6°	

Caster Position

Rear Wheel Position

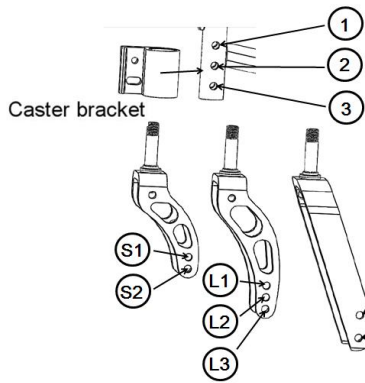
Anti-Tipper Position



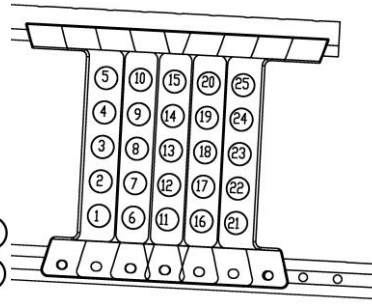
(For 304 mm(15.5")~457 mm
(18")seat height)

Seat Height	Caster Size Caster Position		Rear Wheel	Caster Bracket	Rear Wheel Position	Seat Angle	Anti-Tipper Position	
457 mm (18")	6" (L1)	5" (L2)	22"	(2)(3)	8	5.5°	1-1	2-4
					13	5.3°		
	6" (L1)	5" (L2)	20"	(2)(3)	18	5.1°		
					7	5.1°		
432 mm (17")	5" (S2)	22"	(2)(3)	12	5.0°	2-3		
				17	4.8°			
				9	5.4°			
	5" (S2)	20"	(2)(3)	14	5.0°			
				13	4.7°			
				18	4.5°			
406 mm (16")	5" (S2)	22"	(1)(2)	10	4.8°	2-2		
				15	4.6°			
				20	4.3°			
	5" (S2)	20"	(1)(2)	9	5.1°			
				14	4.9°			
				19	4.7°			

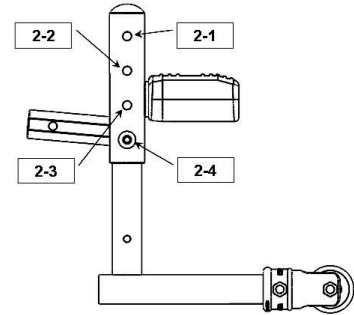
Caster Position



Rear Wheel Position



Anti-Tipper Position

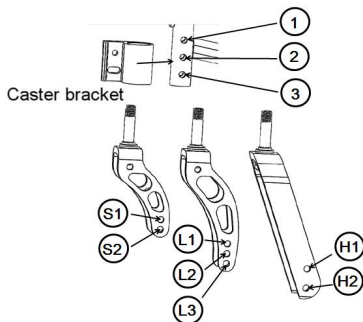


(For 394 mm(15.5")~457 mm (18") seat height)

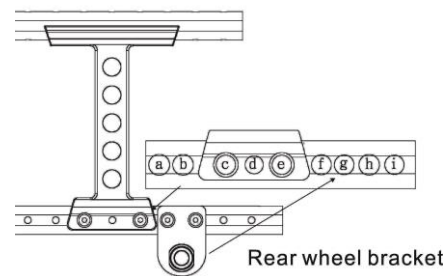
Seat Height	Caster Size Caster Position	Rear Wheel	Caster Bracket	Rear Wheel Position	Seat Angle	Anti-Tipper Position
394 mm (15.5")	5" S1	22"	1 2	10	4.0°	2-1
				15	3.8°	
				20	3.7°	
	5" S1	20"	1 2	9	4.0°	
				14	3.7°	
				19	3.4°	

5.3.3 Seat Height Adjustment for 14" Rear Wheels

Caster Position



Rear Wheel Position



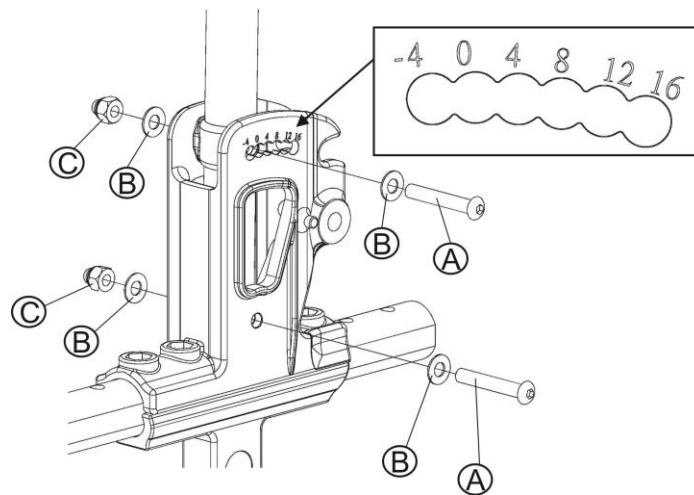
Seat Height	Caster Size Caster Position	Rear Wheel	Caster Bracket	Rear Wheel Bracket	Seat Angle
508 mm (20")	7" L3	8" L2	2 3	f g	7.2°
483 mm (19")	7" L2	6" L3	2 3	f g	4.0°
457 mm (18")	6" L1	5" L2	2 3	f g	1.5°



WARNING:

- Set the Flexx series at the positions specified in the above sections of 5.3.1, 5.3.2 and 5.3.3.
- Anti-tippers **MUST** be equipped to your wheelchair when the axle plate setting is at Active position mentioned in the Section 5.3.1.
- Both rear wheels should be set at the same position.
- Any wheel position change should **ONLY** be performed by your local dealers or approved therapists.

5.3.4 Backrest Angle Adjustment.



- Loosen bolt A and nut C.
- Adjust the backrest tube to the desired position and angle. (from -4° to 16°)
- Insert bolt A into the new position. Tighten bolt A and nut C with washer B.
- Repeat the above procedures on the other side of the chair.



WARNING:

- Anti-tippers **MUST** be equipped, when the backrest angle is set as greater than or equal to four degrees.

6. ACCESSORIES

Optional accessories are as below, please contact your dealer for the purchase of these items.

- 6.1 Pneumatic rear wheels.
- 6.2 Aluminum handrim.
- 6.3 5", 6" and 8" caster.
- 6.4 Attendant brake.
- 6.5 Swing away anti-tipper.
- 6.6 IV pole holder.
- 6.7 Multi-function head support.
- 6.8 Tray for mealtimes, leisure and reading.
- 6.9 Oxygen tank holder.
- 6.10 Hub brake.
- 6.11 Tie-down bracket



CAUTION:

- **Attaching accessories may alter the overall stability and centre-of-gravity of the chair. Thus, this should be performed by an authorized dealer/ technician or qualified therapist.**

7. TROUBLESHOOTING

Trouble or Problems with Your Wheelchair

You can inspect the following before taking your wheelchair to a KARMA wheelchair dealer.

Problem	Checking Points and Corrective Action
1. Wheelchair Veers Right/Left	<ul style="list-style-type: none">● Check tires for correct and equal pressure.● Check caster bracket angle.● Check that rear wheels are equally spaced from the seat frame.
2. Sluggish Turn or Performance	<ul style="list-style-type: none">● Check tires for correct and equal pressure.● Check for loose nuts and bolts.
3. Caster Flutter/Wobble	<ul style="list-style-type: none">● Check tires for correct and equal pressure.● Check for loose nuts and bolts.● Check caster bracket angle.
4. Squeaks and Rattles	<ul style="list-style-type: none">● Check for loose nuts and bolts.
5. Looseness in Wheelchair	<ul style="list-style-type: none">● Check for loose nuts and bolts.

If you cannot solve the problem by yourself, contact your KARMA wheelchair dealer for help.

8. SPECIFICATIONS

Product Model	Flexx S (KM-8022S · KM-8522S)						
Nominal seat width (mm/in)*	350 / 14	375 / 15	400 / 16	425 / 17	450 / 18	475 / 19	500 / 20
Nominal seat depth (mm/in)**	415 ~ 465 / 16 ~ 18						
Front caster / Rear wheel size (in)	7 / 24 · 8 / 24						
Backrest height (mm)	430	430	430	430	430	430	430
Headrest height above seat (mm)	N/A	N/A	N/A	N/A	N/A	N/A	N/A
Armrest to seat distance (mm)	225 ~ 245						
Front location of armrest structure (mm)	365	365	365	365	365	365	365
Seat surface height at front edge (mm)	390 ~ 530						
Footrest to seat distance (mm)	315 ~ 415						
Effective seat width (mm)	380	405	430	455	480	505	530
Effective seat depth (mm)	595 ~ 645						
Seat plane angle (X°)	5	5	5	5	5	5	5
Backrest angle (X°)	7 ~ 27						
Seat to backrest angle (X°)	92 ~ 112						
Leg to seat angle (X°)	98	98	98	98	98	98	98
Overall length with legrest (mm)	1025 ~ 1105						
Overall width (mm)	555	580	605	630	655	680	705
Overall height (mm)	900 ~ 925						
Folded length (mm)	815 ~ 865						
Folded width (mm)	290	290	305	305	320	320	335
Folded height (mm)	610 ~ 730						
Total mass (kg)	15.1 ~ 15.9						
Mass of the heaviest part (kg)	10.0 ~ 10.7						
Maximum user weight (kg)	130	130	130	130	130	130	130
Minimum turning radius (mm)	855 ~ 935						
Minimum turning radius without user (mm)	725 ~ 805						
Pivot width (mm)	1225 ~ 1305						
Static stability downhill (X°)	15	15	15	15	15	15	15
Static stability uphill (X°)	11	11	11	11	11	11	11
Static stability sideways (X°)	18	18	18	18	18	18	18

Handrim diameter (mm)	520	520	520	520	520	520	520
Horizontal location of axle (mm)	10	10	10	10	10	10	10
<p>* Nominal seat width is measured the width of seat cushion at 120mm in front of the backrest. This value is mainly used in the product ordering process.</p> <p>** Nominal seat depth is measured from the front end of the seat cushion to the back cushion. This value is mainly used in the product ordering process.</p> <ul style="list-style-type: none"> - The actual product specifications differ from the data in the table by ± 1 cm ± 0.5 kg. - The actual product specifications may vary according to different configurations. - KARMA reserves the right to modify information herein without further notice. - Please scan the QR code to watch more instructions of the measurement methods on the KARMA website. 							



Product Model	Flexx S (KM-8022S、KM-8522S)						
Nominal seat width (mm/in)*	350 / 14	375 / 15	400 / 16	425 / 17	450 / 18	475 / 19	500 / 20
Nominal seat depth (mm/in)**	415 ~ 465 / 16 ~ 18						
Front caster / Rear wheel size (in)	7 / 14、8 / 14						
Backrest height (mm)	430	430	430	430	430	430	430
Headrest height above seat (mm)	N/A	N/A	N/A	N/A	N/A	N/A	N/A
Armrest to seat distance (mm)	225 ~ 245						
Front location of armrest structure (mm)	365	365	365	365	365	365	365
Seat surface height at front edge (mm)	390 ~ 530						
Footrest to seat distance (mm)	315 ~ 415						
Effective seat width (mm)	380	405	430	455	480	505	530
Effective seat depth (mm)	595 ~ 645						
Seat plane angle (X°)	5	5	5	5	5	5	5
Backrest angle (X°)	7 ~ 27						
Seat to backrest angle (X°)	92 ~ 112						
Leg to seat angle (X°)	98	98	98	98	98	98	98
Overall length with legrest (mm)	1025 ~ 1105						
Overall width (mm)	520	545	570	595	620	645	670
Overall height (mm)	900 ~ 925						
Folded length (mm)	815 ~ 1040						
Folded width (mm)	290	290	305	305	320	320	335

Folded height (mm)	610 ~ 730						
Total mass (kg)	14.1 ~ 14.9						
Mass of the heaviest part (kg)	12.7 ~ 13.4 (14F) 10.0 ~ 10.7 (14Q)						
Maximum user weight (kg)	130	130	130	130	130	130	130
Minimum turning radius (mm)	915 ~ 995						
Minimum turning radius without user (mm)	785 ~ 865						
Pivot width (mm)	1225 ~ 1305						
Static stability downhill (X°)	15	15	15	15	15	15	15
Static stability uphill (X°)	11	11	11	11	11	11	11
Static stability sideways (X°)	18	18	18	18	18	18	18
Handrim diameter (mm)	N/A	N/A	N/A	N/A	N/A	N/A	N/A
Horizontal location of axle (mm)	70	70	70	70	70	70	70
<p>* Nominal seat width is measured the width of seat cushion at 120mm in front of the backrest. This value is mainly used in the product ordering process.</p> <p>** Nominal seat depth is measured from the front end of the seat cushion to the back cushion. This value is mainly used in the product ordering process.</p> <ul style="list-style-type: none"> - The actual product specifications differ from the data in the table by ± 1 cm ± 0.5 kg. - The actual product specifications may vary according to different configurations. - KARMA reserves the right to modify information herein without further notice. - Please scan the QR code to watch more instructions of the measurement methods on the KARMA website. 							



Product Model	Flexx (KM-8022、KM-8522)						
Nominal seat width (mm/in)*	350 / 14	375 / 15	400 / 16	425 / 17	450 / 18	475 / 19	500 / 20
Nominal seat depth (mm/in)**	410 ~ 460 / 16 ~ 18						
Front caster / Rear wheel size (in)	7 / 24、8 / 24						
Backrest height (mm)	430	430	430	430	430	430	430
Headrest height above seat (mm)	N/A	N/A	N/A	N/A	N/A	N/A	N/A
Armrest to seat distance (mm)	200 ~ 280						
Front location of armrest structure (mm)	355	355	355	355	355	355	355
Seat surface height at front edge (mm)	390 ~ 530						

Footrest to seat distance (mm)	330 ~ 430						
Effective seat width (mm)	380	405	430	455	480	505	530
Effective seat depth (mm)	570 ~ 620						
Seat plane angle (X°)	5	5	5	5	5	5	5
Backrest angle (X°)	7 ~ 27						
Seat to backrest angle (X°)	92 ~ 112						
Leg to seat angle (X°)	99	99	99	99	99	99	99
Overall length with legrest (mm)	1030 ~ 1105						
Overall width (mm)	560	585	610	635	660	685	710
Overall height (mm)	915 ~ 940						
Folded length (mm)	815 ~ 865						
Folded width (mm)	290	290	305	305	320	320	335
Folded height (mm)	610 ~ 740						
Total mass (kg)	15.9 ~ 16.7						
Mass of the heaviest part (kg)	9.8 ~ 10.9						
Maximum user weight (kg)	130	130	130	130	130	130	130
Minimum turning radius (mm)	860 ~ 920						
Minimum turning radius without user (mm)	730 ~ 790						
Pivot width (mm)	1240 ~ 1300						
Static stability downhill (X°)	15	15	15	15	15	15	15
Static stability uphill (X°)	11	11	11	11	11	11	11
Static stability sideways (X°)	18	18	18	18	18	18	18
Handrim diameter (mm)	520	520	520	520	520	520	520
Horizontal location of axle (mm)	10	10	10	10	10	10	10

* **Nominal seat width** is measured the width of seat cushion at 120mm in front of the backrest. This value is mainly used in the product ordering process.

** **Nominal seat depth** is measured from the front end of the seat cushion to the back cushion. This value is mainly used in the product ordering process.

- The actual product specifications differ from the data in the table by ± 1 cm ± 0.5 kg.

- The actual product specifications may vary according to different configurations.

- KARMA reserves the right to modify information herein without further notice.

- Please scan the **QR code** to watch more instructions of the measurement methods on the KARMA website.



Product Model	Flexx (KM-8022、KM-8522)						
Nominal seat width (mm/in)*	350 / 14	375 / 15	400 / 16	425 / 17	450 / 18	475 / 19	500 / 20
Nominal seat depth (mm/in)**	410 ~ 460 / 16 ~ 18						
Front caster / Rear wheel size (in)	7 / 14、8 / 14						
Backrest height (mm)	430	430	430	430	430	430	430
Headrest height above seat (mm)	N/A	N/A	N/A	N/A	N/A	N/A	N/A
Armrest to seat distance (mm)	200 ~ 280						
Front location of armrest structure (mm)	355	355	355	355	355	355	355
Seat surface height at front edge (mm)	390 ~ 530						
Footrest to seat distance (mm)	330 ~ 430						
Effective seat width (mm)	380	405	430	455	480	505	530
Effective seat depth (mm)	570 ~ 620						
Seat plane angle (X°)	5	5	5	5	5	5	5
Backrest angle (X°)	7 ~ 27						
Seat to backrest angle (X°)	92 ~ 112						
Leg to seat angle (X°)	99	99	99	99	99	99	99
Overall length with legrest (mm)	1005 ~ 1075						
Overall width (mm)	525	550	575	600	625	650	675
Overall height (mm)	910 ~ 940						
Folded length (mm)	815 ~ 1040						
Folded width (mm)	290	290	305	305	320	320	335
Folded height (mm)	610 ~ 740						
Total mass (kg)	14.9 ~ 16.0						
Mass of the heaviest part (kg)	12.5 ~ 13.4 (14F) 9.8 ~ 10.7 (14Q)						
Maximum user weight (kg)	130	130	130	130	130	130	130
Minimum turning radius (mm)	920 ~ 980						
Minimum turning radius without user (mm)	790 ~ 850						
Pivot width (mm)	1240 ~ 1300						
Static stability downhill (X°)	15	15	15	15	15	15	15
Static stability uphill (X°)	11	11	11	11	11	11	11
Static stability sideways (X°)	18	18	18	18	18	18	18

Handrim diameter (mm)	N/A	N/A	N/A	N/A	N/A	N/A	N/A
Horizontal location of axle (mm)	70	70	70	70	70	70	70

* **Nominal seat width** is measured the width of seat cushion at 120mm in front of the backrest. This value is mainly used in the product ordering process.

** **Nominal seat depth** is measured from the front end of the seat cushion to the back cushion. This value is mainly used in the product ordering process.

- The actual product specifications differ from the data in the table by ± 1 cm ± 0.5 kg.
- The actual product specifications may vary according to different configurations.
- KARMA reserves the right to modify information herein without further notice.
- Please scan the **QR code** to watch more instructions of the measurement methods on the KARMA website.



CAUTION

- Please don't travel across a slope (in any direction) greater than 7 degrees.
- DON'T stand on the footplate directly; which the limit weight is 100 kg.

9. CLEANING & RECYCLING

9.1 Cleaning

In order to lengthen the life of your wheelchair, it is suggested that you clean the wheelchair periodically (if not daily), especially after it is used in the rain or snow. We suggest that you don't use your wheelchair in the rain or snow. If you are travelling and get caught in the rain, we suggest you try to find a shelter while waiting it out. If you can't find any shelter, proceed to your destination.

9.1.1 Frame

9.1.1.1 Wipe with a damp cloth. **DO NOT** use any abrasive material to clean it.

9.1.1.2 Although the frame of your wheelchair is aluminum, some parts, such as screws, nuts and spokes of wheels still get rusted if they are exposed to the humid environment. Always keep it dry and clean.

9.1.2 Upholstery

9.1.2.1 When cleaning the upholstery, use warm water and a mild soap.

9.1.2.2 Upholstery cleaner/foam can also be used. Other cleaning solvents are excluded.

9.2 Recycling

A post-consumer recycling plan should follow the Environmental Protection Administration's regulations. The items listed below are for reference only as local laws and regulations may vary.

Material	Part Name	Method
Aluminum-alloy	Frame	Recyclable
Plastic	Modular Components	Recyclable
Paper	Owner's Manual	Recyclable

9.2.1 There are organizations in many countries you can find on the Internet that will accept used goods for charity. Please search the information highway to help less fortunate individuals and protect our planet for future generations. If you do not have access to the world wide web please use your local phone directory, ask for operator assistance or go

to your local government centre for more information. Earth Day is every day.

9.2.2 Check with your local recycling centre on where and how to recycle your wheelchair as this information varies from region to region.

10. WARRANTY

10.1 Serial Number

To ensure after-sale service and warranty, please record and fill in the serial number which can be found on the frame.

This warranty is VOID if the original chair serial number is removed or altered.

Model	
Serial Number	

10.2 Warranty Policy

10.2.1 Contents and Duration of Warranty

10.2.1.1 If the parts of the product need to be repaired or replaced due to manufacturing defects, they can be repaired or replaced free of charge within the warranty period (a repair of this kind will hereafter be called warranty maintenance).

10.2.1.2 Frame and cross-braces are warranted for a period of 5 years and gas strut for a period of 1 year after delivery to the customer, then the affected parts will be repaired or replaced free of charge.

10.2.1.3 Consumable parts such as brakes, bearings, footplates, pads, side guards, upholsteries, wheels and similar parts are excluded from the warranty.

10.2.1.4 Warranty maintenance can be performed by authorized KARMA wheelchair dealers only.

10.2.1.5 KARMA is not responsible for the transportation costs for repair and replacement.

10.2.1.6 Warranty maintenance is the repair or replacement according to the condition of the parts, and replaced parts will be the property of KARMA.

10.2.1.7 KARMA reserves the right to modify product specifications without further notice; KARMA is not responsible for any changes to product specifications.

10.2.2 The Claims from This Warranty Shall Not Arise for The Following Reasons

10.2.2.1 The product or part has been damaged by accident, improper use, incorrect assembly or poor maintenance. The evaluation of it is the privilege of KARMA.

10.2.2.2 Damage resulting from normal wear and tear.

10.2.2.3 Any overloading of the product, please check the label for maximum user weight.

10.2.2.4 The product or part has not been maintained or serviced in accordance with the manufacturer's recommendations as shown in the User Manuals and/or the Service Manuals.

10.2.2.5 Use or install parts or accessories which are not manufactured or not approved by KARMA.

10.2.2.6 Damage resulting from use in unsuitable environments.

10.2.2.7 Damage resulting from any addition, modification, or alteration of the product or parts without the approval by KARMA.

10.2.2.8 Damage resulting from external factors, such as chemicals, oil, debris, etc.

10.2.2.9 Damage caused by natural disasters.

10.2.3 KARMA is Not Responsible for The Following Costs.

10.2.3.1 Replacement or refill of consumable parts, oil or lubricant.

10.2.3.2 Product inspection, adjustment, lubrication, cleaning, etc.

10.2.3.3 The costs of regular inspection and maintenance of product.

10.2.3.4 The product is not repaired by the authorized dealer designated by KARMA.

10.2.4 Responsibilities

10.2.4.1 The Responsibilities of the User

10.2.4.1.1 Fully adhere to operation guidelines set forth in this manual.

10.2.4.1.2 Perform self-inspection and basic maintenance.

10.2.4.1.3 Keep a record of self-inspections and basic maintenance.

10.2.4.1.4 Not permit any alteration, addition, or modification or use of parts not manufactured by KARMA.

10.2.4.1.5 Thoroughly read and understand this manual.

10.2.4.2 The Responsibilities of the Dealer

10.2.4.2.1 Follow this owner's manual and educate user about product operation and basic maintenance

10.2.4.2.2 Verify and check whether the warranty conditions are met.

10.2.4.2.3 Provide relevant warranty information and recommendations for improvements.

10.2.5 Transfer of Warranty Rights

10.2.5.1 If you purchase a second-hand KARMA wheelchair while it is still within the warranty period, bring this user manual and the wheelchair to the authorized dealer and perform necessary product inspection, maintenance and warranty inheritance procedure.

Full Name:	
Gender:	
Date of Birth:	
Address:	
Model:	
Serial Number:	
Date of Purchase:	

Dealer's Data

Name of the Store:	
Phone Number and Address:	

If you have any suggestions on how to improve our products, please don't hesitate contacting your local dealer to let us know what you think of your wheelchair. Thank you and enjo

karma

A Better Wheelchair, A Better Fit



KARMA MOBILITY S.L European Support Center.
www.karmamobility.es
+34 984 390 907
karma@karmamobility.es

KARMA MOBILITY LTD. UK representative
www.karmamobility.co.uk
+44 845 630 3436
info@karmamobility.co.uk

KARMA MEDICAL PRODUCTS CO., LTD.
www.KarmaMedical.com
+886 5 206 6688
globalsales@karmam.com.tw